



PVC STRIP CURTAINS

TO INSULATE AGAINST THE COLD, PROTECT FROM DRAUGHTS, DUST, NOISE OR LIGHT

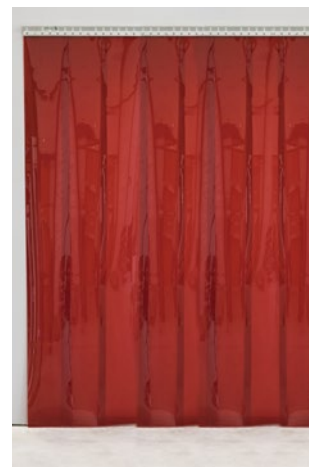


STRIP CURTAIN

L22 L22 KIT

A SIMPLE, EFFICIENT AND HIGHLY COST-EFFECTIVE SOLUTION

- The L22 strip curtain allows you to **protect** your staff, products and materials **from the cold** or heat, **draughts, dust, noise** or light and to make **substantial savings on your energy bills**.
- It consists of an **exclusive, ingenious and strong hanging rail**: covered and closed, it guarantees **better sealing** than conventional strip curtains and even quicker fitting.
- The **flexible PVC** strips can be of **different types**: classic transparent crystal, through-coloured opaque, flame-retardant, UV and fire-resistant for welding screens or antistatic for ATEX (explosive atmosphere) environments.
- You can receive your **made-to-measure, ready-to-fit** curtain **in the shortest of lead times**.



FEATURES & BENEFITS



Insulation from cold or heat



Draught protection



Wide choice of strips: crystal, opaque, flame-retardant, UV-resistant, antistatic, etc.



Sturdy profile



Suitable for passage of forklift trucks



Economical



Recyclable

A SPENLE INNOVATION: L22 HANGING RAIL



- Particularly suited to industrial settings: **extremely sturdy**, it is covered to guarantee better insulation and provide a smart, attractive finish.
- The L22 rail is a **universal rail** without hanging plates, which **can be used with all types of strips** whatever their width.

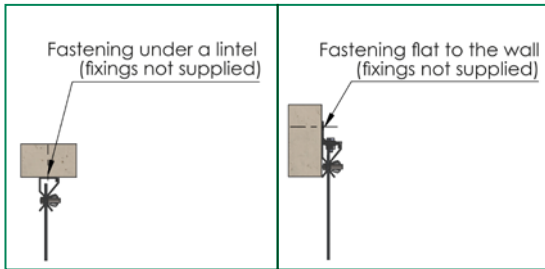
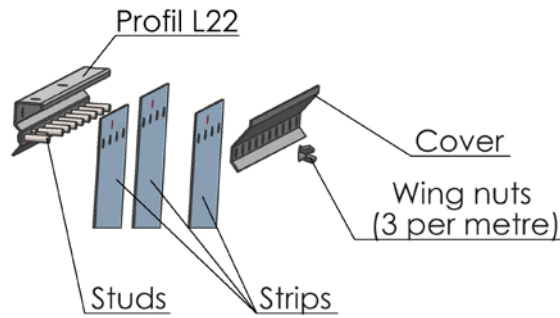


TECHNICAL CHARACTERISTICS

THE L22 HANGING RAIL (SPENLE INNOVATION)

● This extremely sturdy rail consists of a **support bar** and studs, on the one hand, and a **cover** on the other. The pre-cut and punched strips are positioned one by one on the studs, then covered by **the cover, which holds the assembly together** with wing nuts.

It is a **particularly effective** fastening system, which also guarantees **ultra-fast installation**.

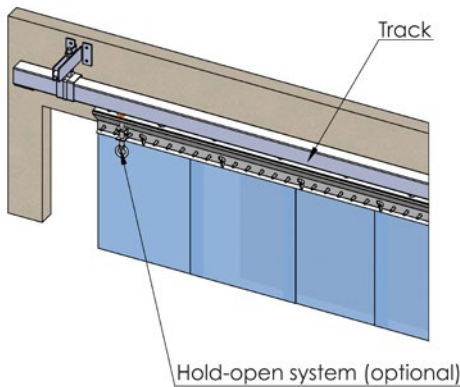


● It is available in **galvanised steel** 2 mm thick, in **grade 304L or 316L stainless steel** for the most demanding and highly corrosive environments, in **lengths of 2 m, 2.50 m or 3 m** and can be cut to the **length you require**.

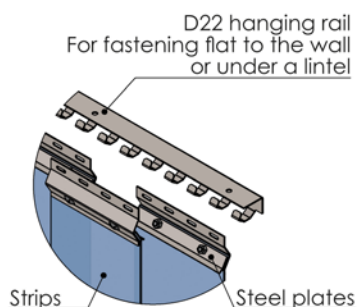
● Can be fitted to the **ceiling or flat to the wall** above the opening.

VARIANTS AND ADAPTATIONS

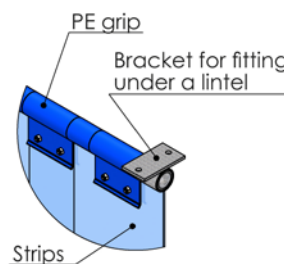
● **Sliding L22 strip curtain** to allow the opening to be **completely or partially cleared**. It consists of a fastening rail mounted on a **galvanised steel or stainless steel "Sportub" track**, with a **pull cord operating system**.



● **D22 unhookable hanging rail**, made of **galvanised steel or grade 304L stainless steel**, with strips mounted between plates and counterplates.



● **O22 swing-type hanging rail**, particularly suited to **very low openings**. The tilting strips are fitted on a **galvanised steel or grade 304L stainless steel tube** using **polyethylene shells**.



STRIP CURTAIN

L22 L22 KIT

IN INDUSTRY/LOGISTICS SETTINGS
THE L22 STRIP CURTAIN
is ideally suited to:

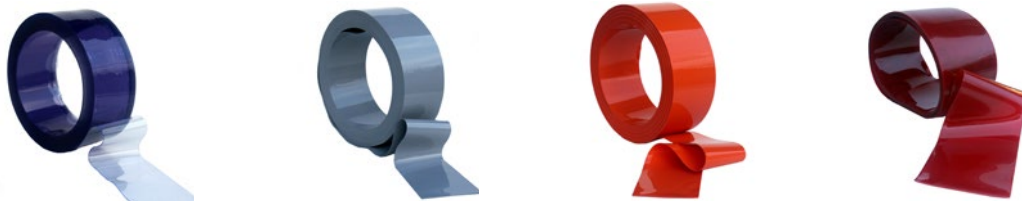
- insulating production sheds,
- doubling of sectional doors and metal curtains for loading docks,
- providing temporary and very cost-effective insulation for building sites,
- welding screens with UV and fire-resistant strips,
- packing booths in clean rooms, etc.



TECHNICAL CHARACTERISTICS

FLEXIBLE PVC STRIPS

- Transparent crystal with rounded edges,
- In widths 100, 200, 300 or 400 mm and thicknesses ranging from 2 to 4 mm, depending on the type of PVC chosen,
- Partial or total overlapping.
- Special strips and technical types of PVC:**
 - through-coloured opaque PVC – colours are silver grey, orange or white, to secure or conceal certain areas,
 - antistatic PVC for explosive atmosphere (ATEX) environments and clean rooms,
 - flame-retardant PVC, B-s3,d0 fire rating,
 - UV-resistant or EN 1598-compliant UV-resistant for welding screens,
 - extreme cold PVC or polar PVC for sub-zero temperatures.



THE DIFFERENT TYPES OF FLEXIBLE PVC AVAILABLE

Width/ Thickness in mm	Crystal	Polar	Food contact	Opaque	Anti- static	B-s3,d0 flame- retardant	EN 1598 red UV- shielding
100/2	Q						
200/2	Q	Q	Q	Q Q Q	Q		
300/2	Q		Q				Q
200/3	Q						
300/3	Q	Q		Q Q	Q	Q	
400/3	Q						
400/4	Q						

L22 KIT, TO MAKE YOUR OWN CURTAIN

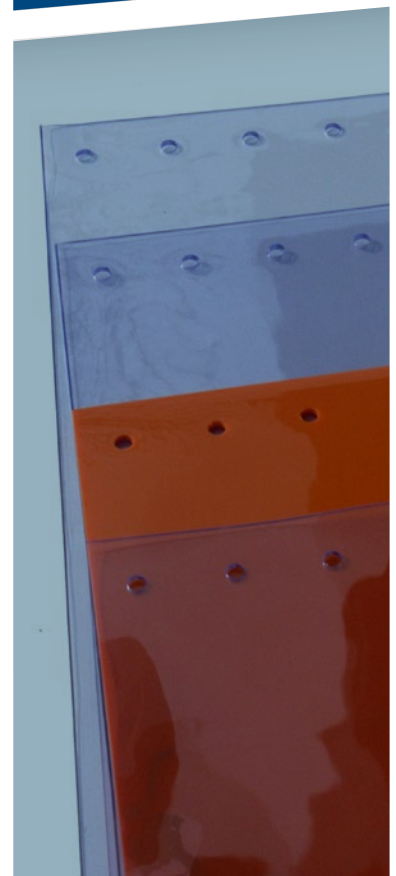
- You can choose a kit version if you have a **specific need**, if you are in a particular hurry or simply if you are looking for a **low-cost solution**.
- The kit consists of **hanging rails** in lengths 2 m, 2.50 m or 3 m plus **rolls of the PVC strip of your choice**.
- All you have to do is cut the rail to length, punch and cut the strip to the length you need, and then install it all **with disconcerting ease**.



For kits, the strip is available in 50- or 25-meter rolls of crystal PVC 200/2 and 300/3.

STRIP CURTAIN

L22 L22 KIT



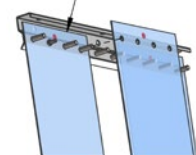
INSTRUCTIONS FOR MAKING AND FITTING A KIT STRIP CURTAIN:

1- Cut the rail to the length required and fasten it in place

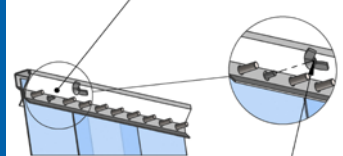


2- Cut and punch the strips

3- Hang the strips on the studs



4- Place the cover



5- Place and tighten the wing nuts (3 per metre)