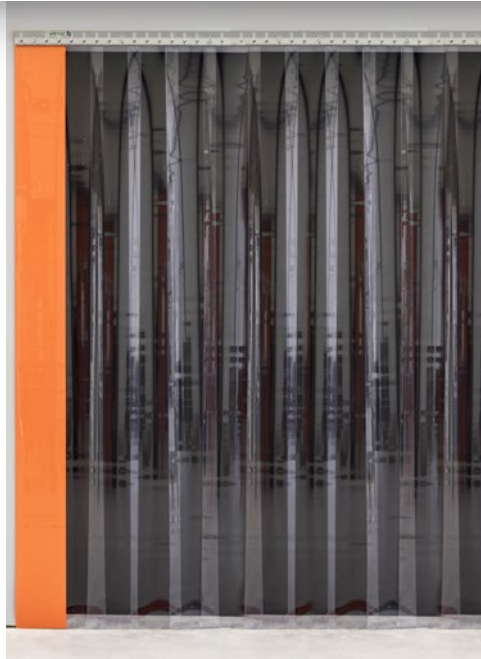


PVC STRIP CURTAINS

TO INSULATE COLD STORES AND OTHER FOOD INDUSTRY ROOMS AND WAREHOUSES

FOOD
INDUSTRY

CATERING



STRIP CURTAIN

L22
L22 KIT

A VERY EFFECTIVE AND ECONOMICAL INSULATING CURTAIN

- The L22 strip curtain allows you to **keep in the cold or heat**, insulate your freezing chambers or refrigerated rooms, **stop draughts**, or divide up your production lines or stations whilst maintaining relatively easy access.
- It consists of an **exclusive and ingenious hanging rail**: covered and closed, it guarantees **easy cleaning and better hygiene**.
- The **flexible PVC** can be of different types: classic transparent crystal, polar for sub-zero temperatures or certified **food safe** when direct contact is possible between the strip and the foodstuff.
- You can receive your **made-to-measure, ready-to-fit** curtain **in the shortest of lead times**.



FEATURES & BENEFITS



Insulation from cold or heat



Choice of 3 strips:
- Crystal
- Extreme cold ($T^{\circ} < 0^{\circ}$)
- Certified food safe



Covered hanging rail for better hygiene



Economical



Recyclable

A SPENLE INNOVATION: L22 HANGING RAIL



- Particularly suited to the food industry and its food safety standards: it is **closed, covered, sealed** and **easy to clean** for a high level of hygiene.

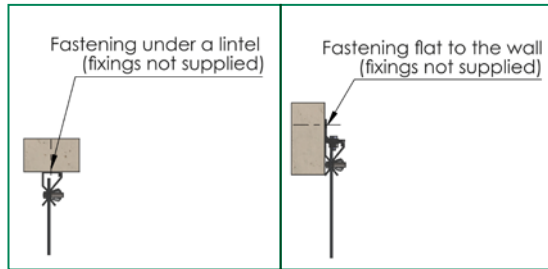
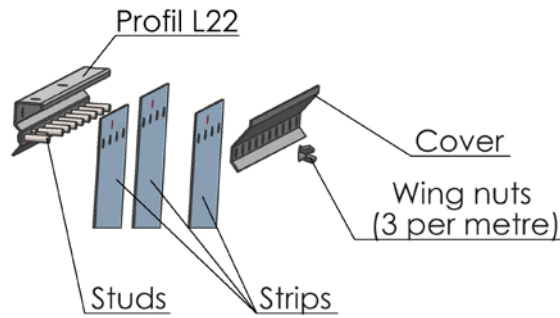


TECHNICAL CHARACTERISTICS

THE L22 HANGING RAIL (SPENLE INNOVATION)

● This extremely sturdy rail consists of a **support bar** and studs, on the one hand, and a **cover** on the other. The pre-cut and punched strips are positioned one by one on the studs, then covered by the **cover**, the **assembly** being held together by wing nuts.

A particularly effective fastening system, which also guarantees **ultra-fast installation**.

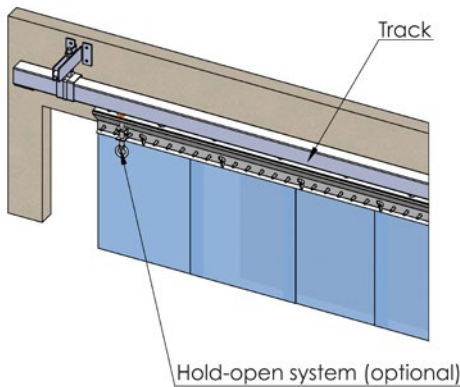


● It is available in **galvanised steel 2 mm thick**, in **grade 304L or 316L stainless steel** for the most demanding and highly corrosive environments, in **lengths of 2 m, 2.50 m or 3 m** and can be **to the length you require**.

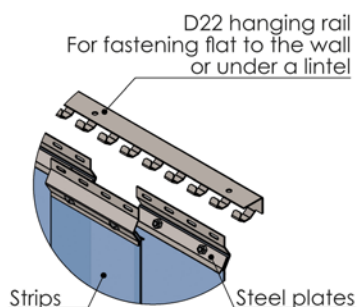
● Can be fitted to the ceiling or flat to the wall above the opening.

VARIANTS AND ADAPTATIONS

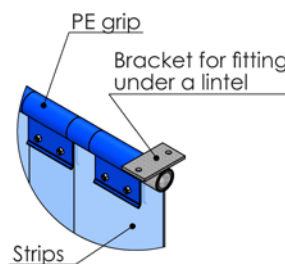
● **Sliding L22 strip curtain** to allow the opening to be completely or partially cleared. It consists of a fastening rail mounted on a **galvanised steel or stainless steel "Sportub" track**, with a **pull cord operating system**.



● **D22 unhookable hanging rail**, made of **galvanised steel or grade 304L stainless steel**, with strips mounted between plates and counterplates.



● **O22 swing-type hanging rail**, particularly suited to **very low openings**. The tilting strips are fitted on a **galvanised steel or grade 304L stainless steel tube** using **polyethylene shells**.

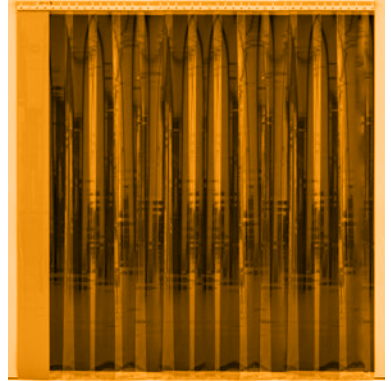


STRIP CURTAIN

L22 L22 KIT

IN FOOD INDUSTRY SETTINGS THE L22 STRIP CURTAIN is ideally suited to:

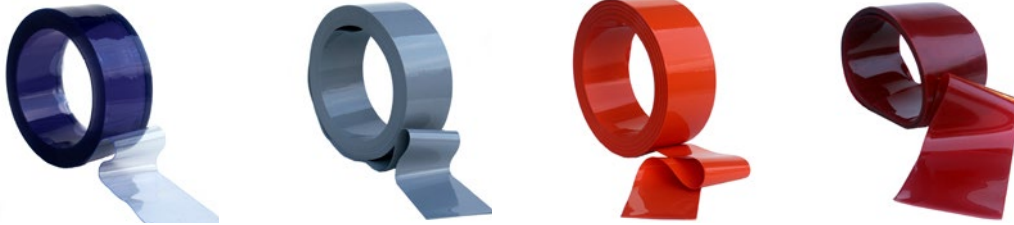
- Insulating meat cutting rooms,
- Separating food processing hall from the storage area,
- Doubling insulating doors in frozen storage rooms,
- Unloading docks in chilled food warehouses,
- Refrigerated vehicles, etc.



TECHNICAL CHARACTERISTICS

FLEXIBLE PVC STRIPS

- With rounded edges and partial or total overlap.
- In widths 100, 200, 300 or 400 mm and thicknesses ranging from 2 to 4 mm, depending on the type of PVC chosen,
- In the food industry and refrigerated settings, the most common strips are transparent, very slightly blue-tinted and mainly made of:
 - crystal flexible PVC,
 - extreme cold PVC for sub-zero temperatures (as low as -25°C),
 - food contact flexible PVC,



THE DIFFERENT TYPES OF FLEXIBLE PVC AVAILABLE

Width/ Thickness in mm	Crystal	Polar	Food contact	Opaque	Anti- static	B-s3,d0 flame- retardant	EN 1598 red UV- shielding
100/2	Q						
200/2	Q	Q	Q	Q Q Q	Q		
300/2	Q		Q				Q
200/3	Q						
300/3	Q	Q		Q Q	Q	Q	
400/3	Q						
400/4	Q						

L22 KIT, TO MAKE YOUR OWN CURTAIN

- You can choose a kit version if you have a **specific need**, if you are in particular hurry or simply if you are looking for a **low-cost solution**.
- The kit consists of **hanging rails** in lengths 2 m, 2.50 m or 3 m plus **rolls of the PVC strip of your choice**.
- All you have to do is cut the rail to length, punch and cut the strip to the length you need, and then install it all **with disconcerting ease**.



For kits, the strip is available in 50 or 25-meter rolls of crystal PVC 200/2 and 300/3.

STRIP CURTAIN

L22 L22 KIT



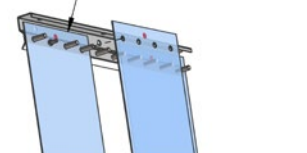
INSTRUCTIONS FOR MAKING AND FITTING A KIT STRIP CURTAIN:

1- Cut the rail to the length required and fasten it in place

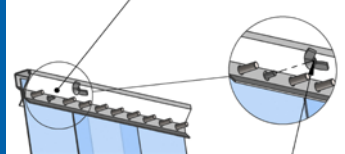


2- Cut and punch the strips

3- Hang the strips on the studs



4- Place the cover



5- Place and tighten the wing nuts (3 per metre)