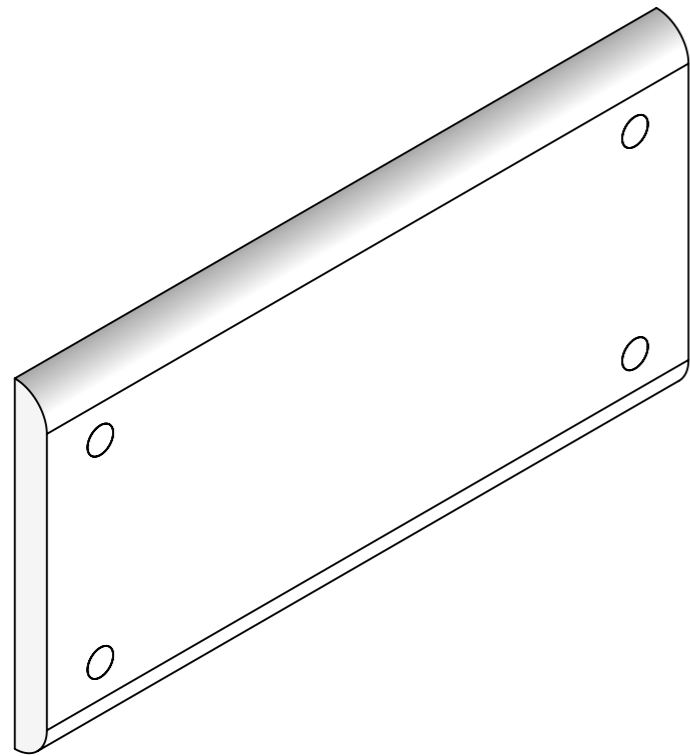
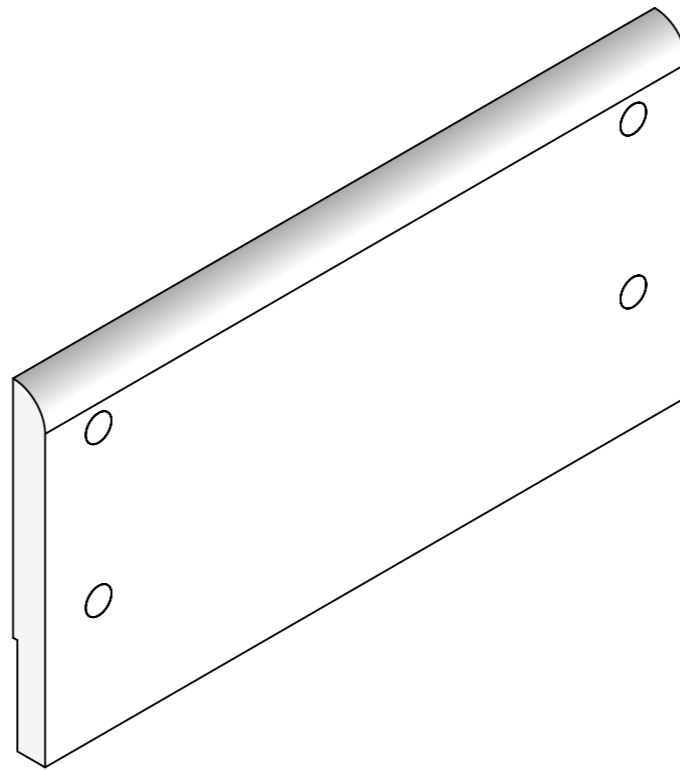


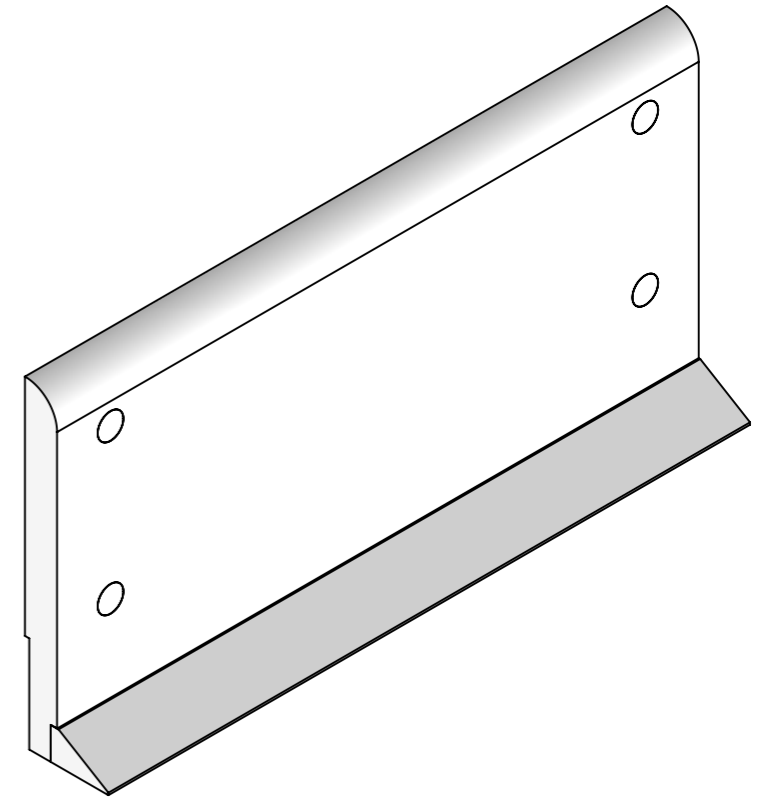
Polyethylene Bump Rails and Skirting



Bump Rail



Straight Skirting



Heeled Skirting



Snow white



Ocean blue



Poppy red



Slate black



Pearl grey



Graphite grey



Emerald green



Lime green



Mimosa yellow

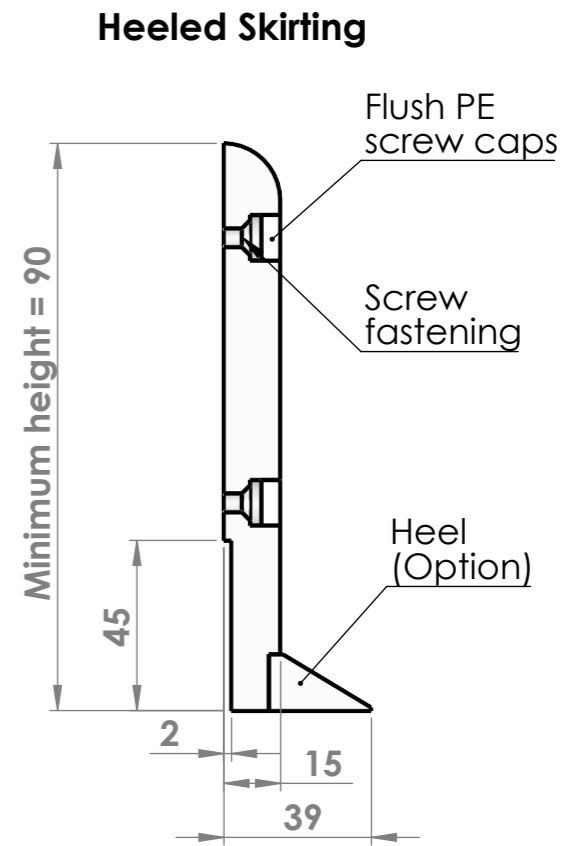
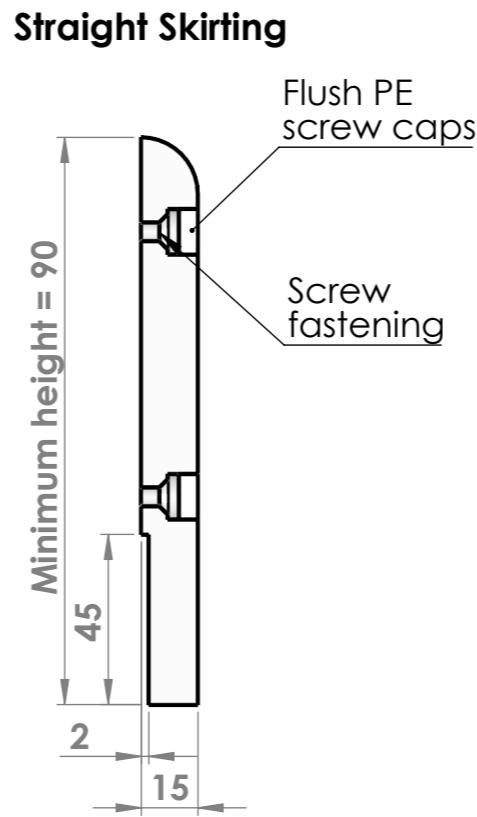
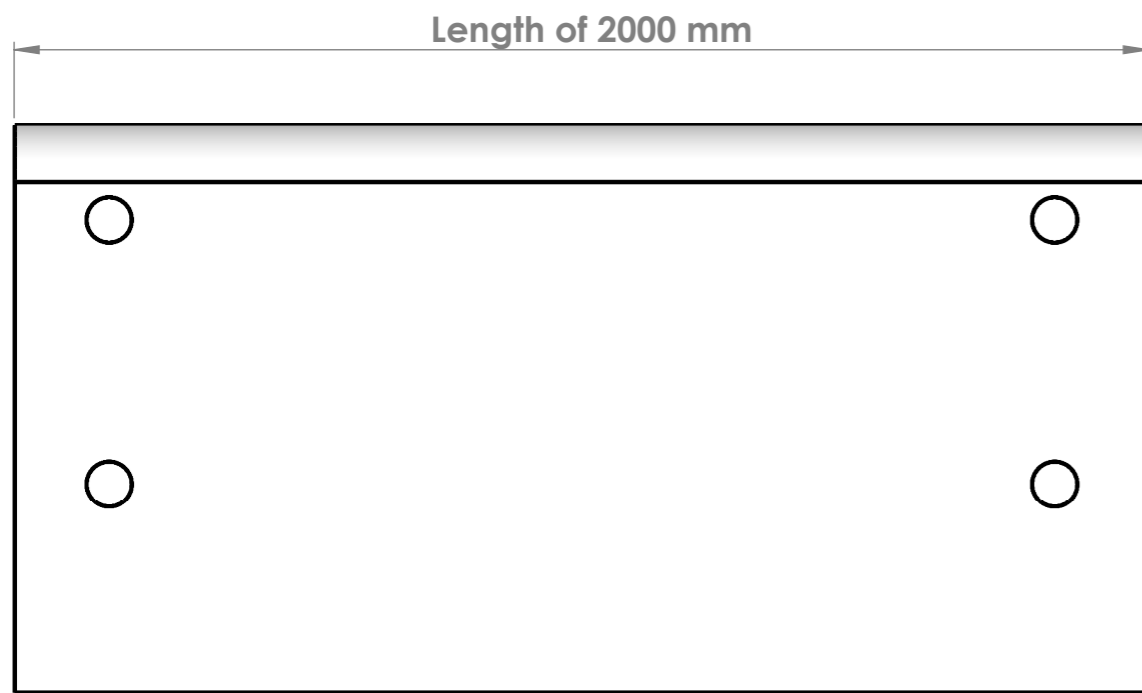
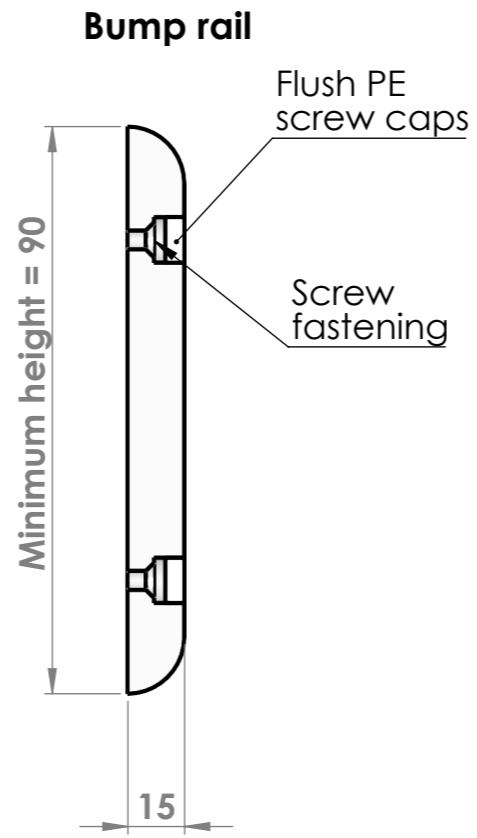
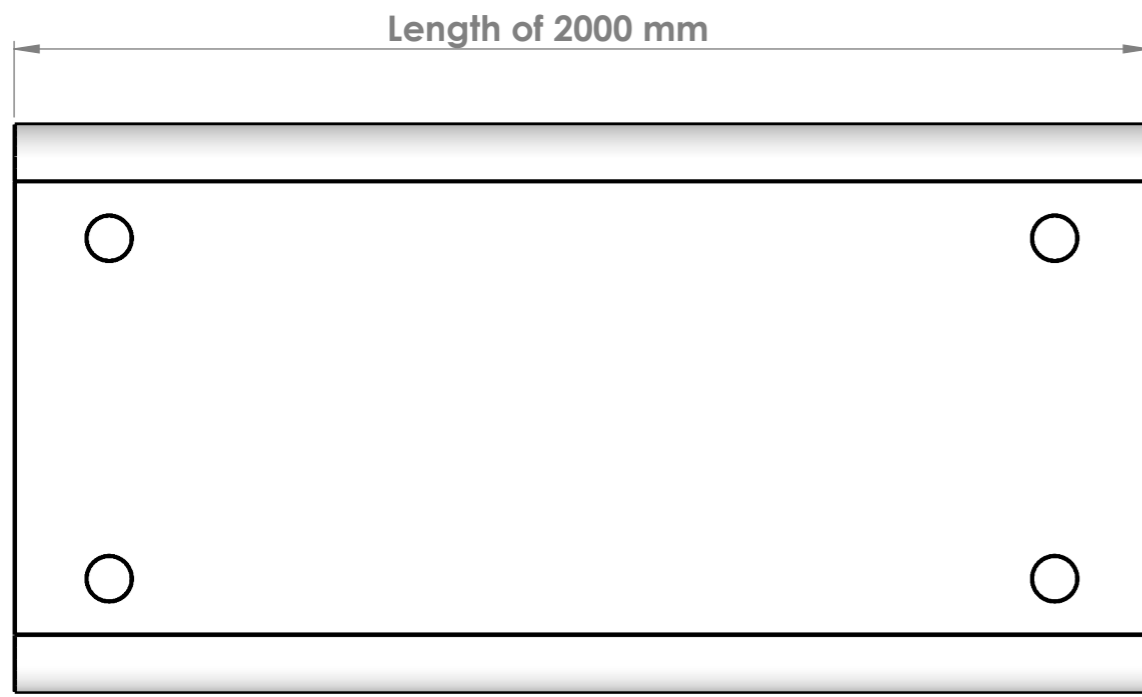
Type :


Bump Rails and Skirting

Polyethylene HD500

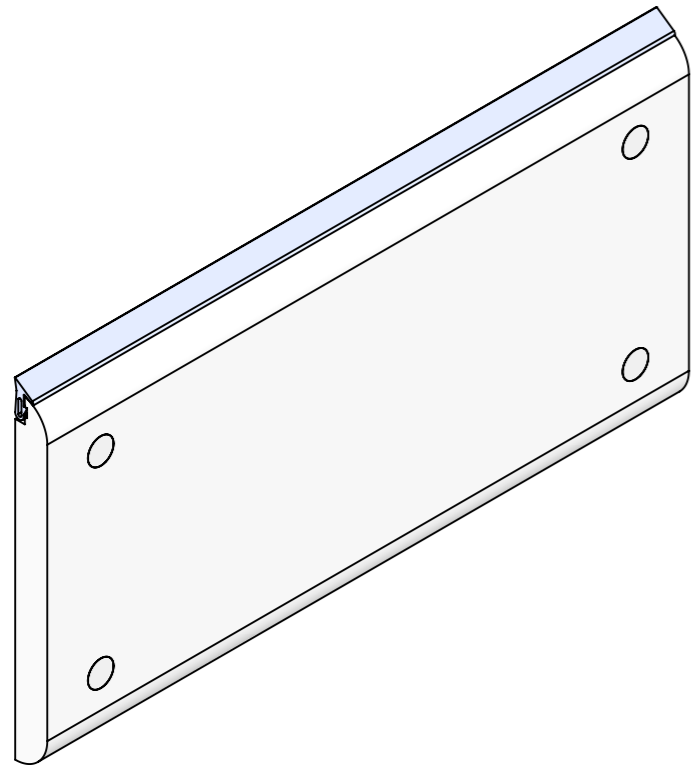


F-57400 SARREBOURG
+33 (0)3 87 25 78 00
www.spenle-international.com
info@spenle-international.com

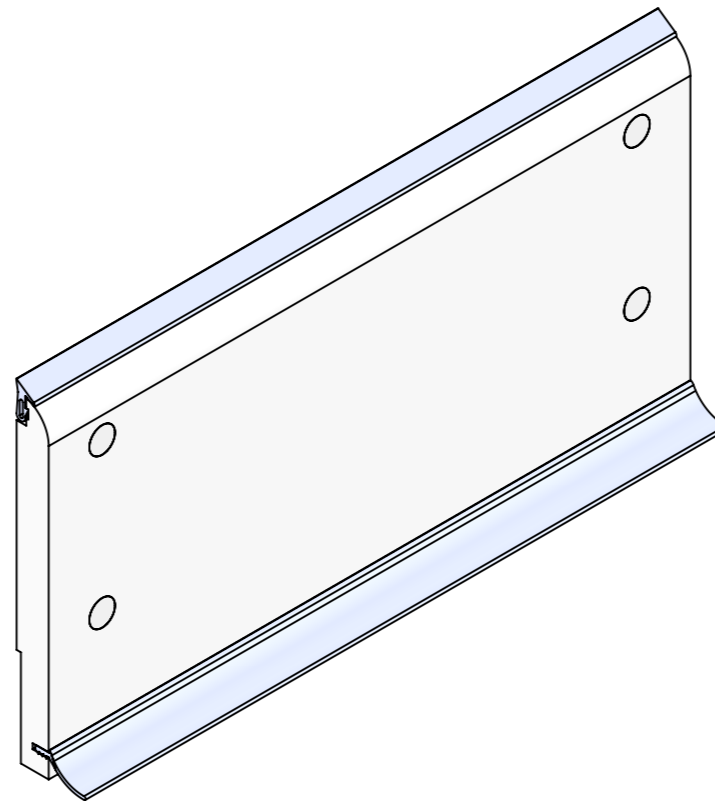


Type :	Bump Rails and Skirting	 <p>F-57400 SARREBOURG +33 (0)3 87 25 78 00 www.spenle-international.com info@spenle-international.com</p>
	Polyethylene HD500	

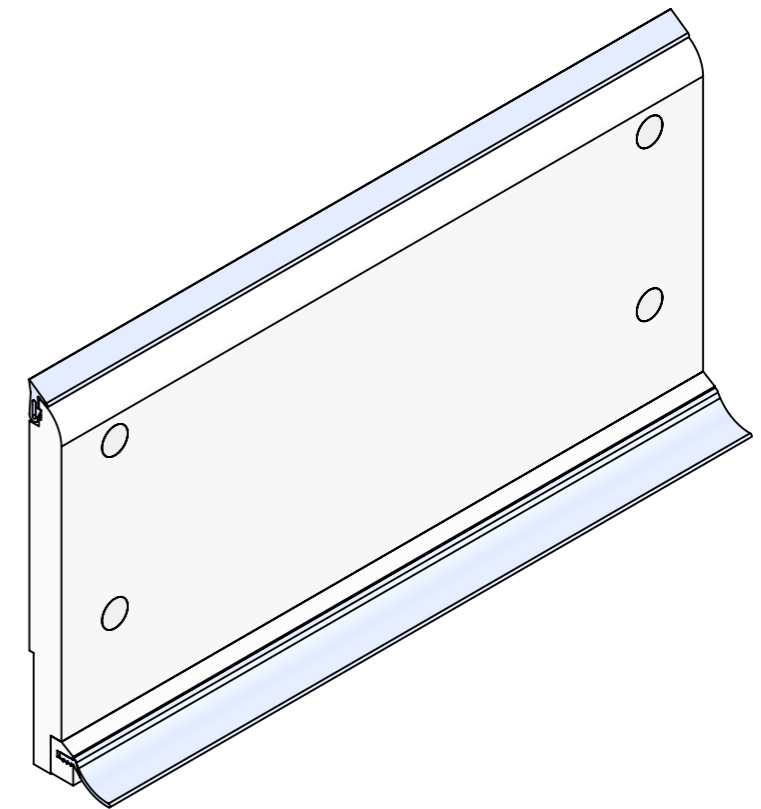
PPJE® Polyethylene Bump Rails and Skirting



Bump Rail-PPJE®



Straight Skirting-PPJE®



Heeled Skirting-PPJE®



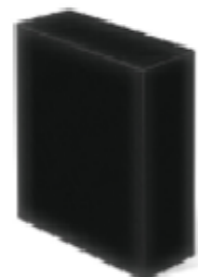
Snow white



Ocean blue



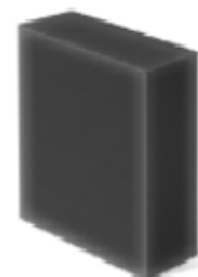
Poppy red



Slate black



Pearl grey



Graphite grey



Emerald green



Lime green



Mimosa yellow

Type :

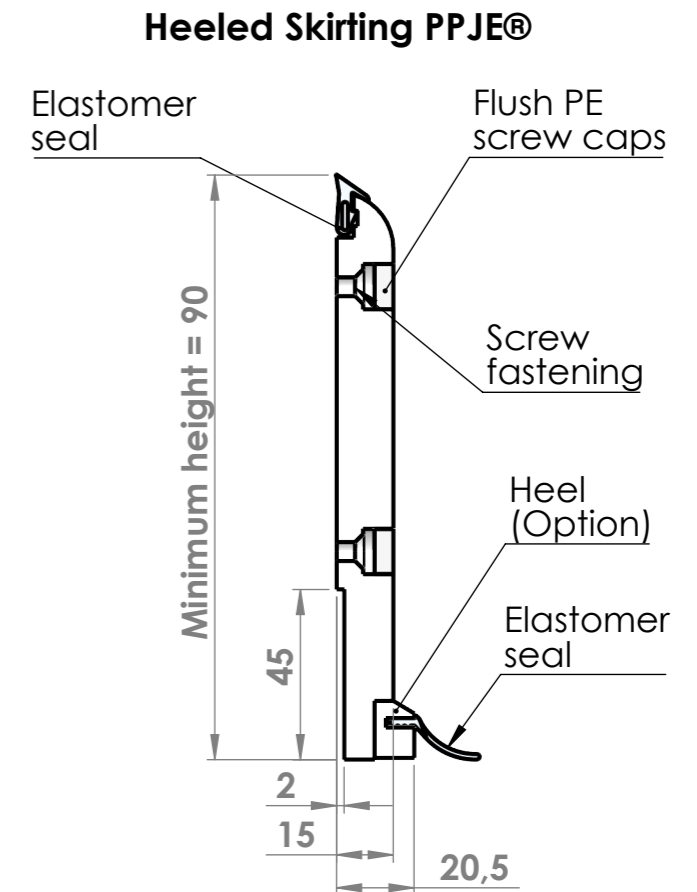
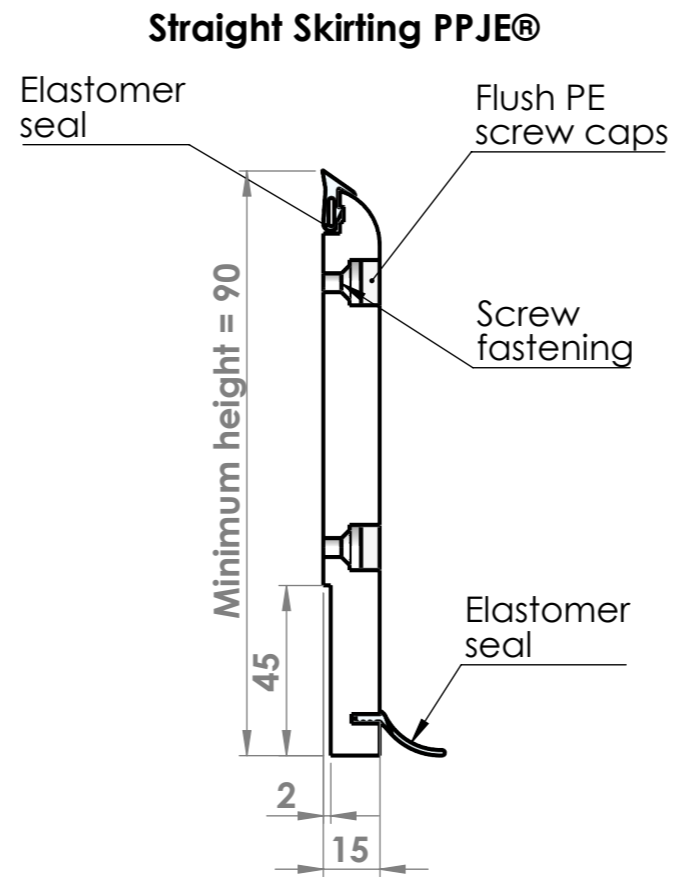
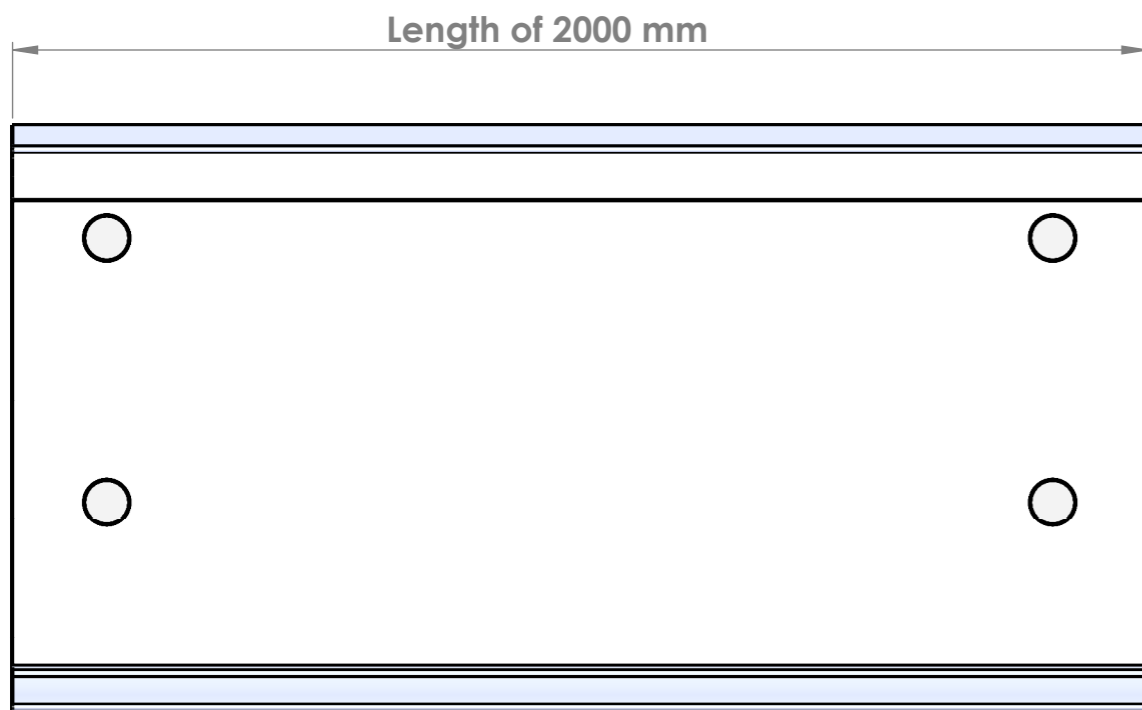
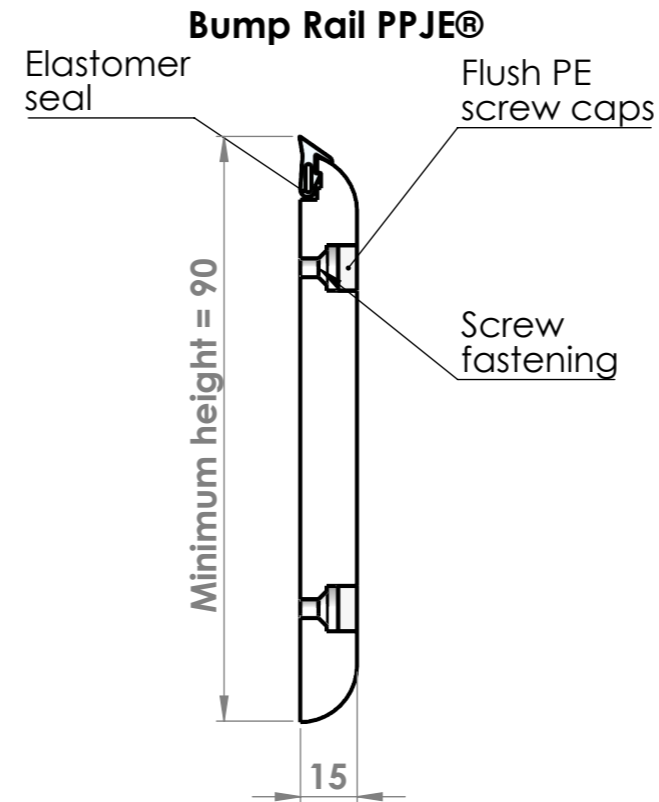
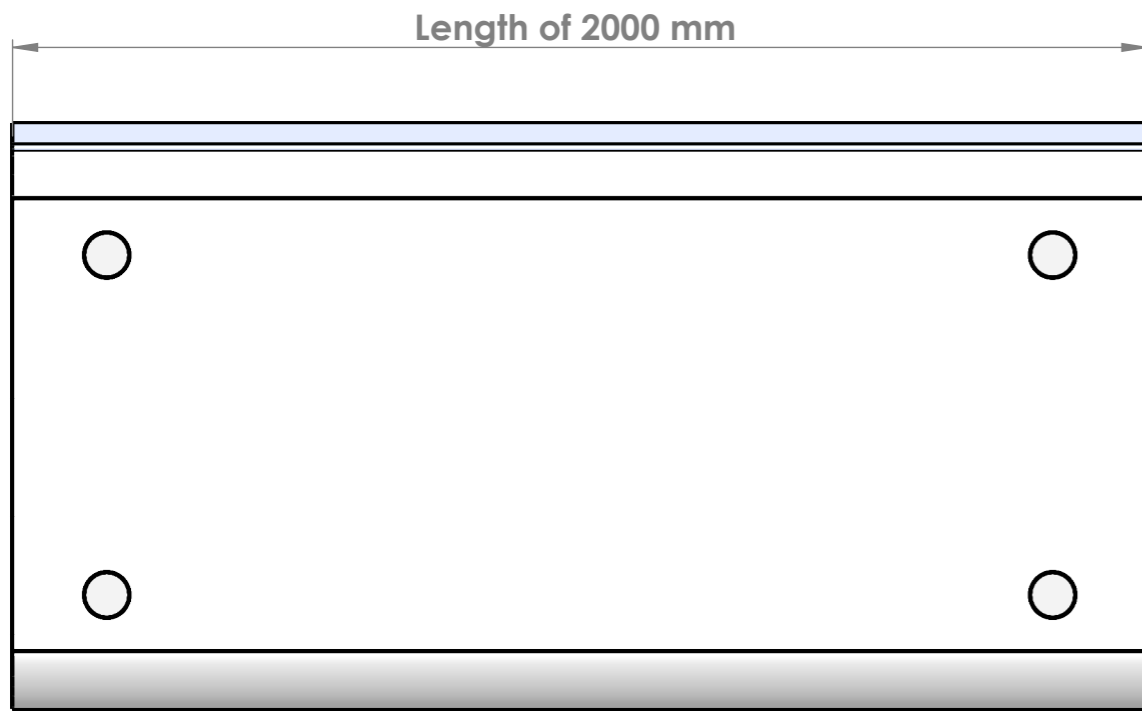
PPJE®

Bump Rails and Skirting

Polyethylene HD500



F-57400 SARREBOURG
+33 (0)3 87 25 78 00
www.spenle-international.com
info@spenle-international.com



Type :

PPJE®

Bump Rails and Skirting

Polyethylene HD500



F-57400 SARREBOURG
 +33 (0)3 87 25 78 00
 www.spenle-international.com
 info@spenle-international.com