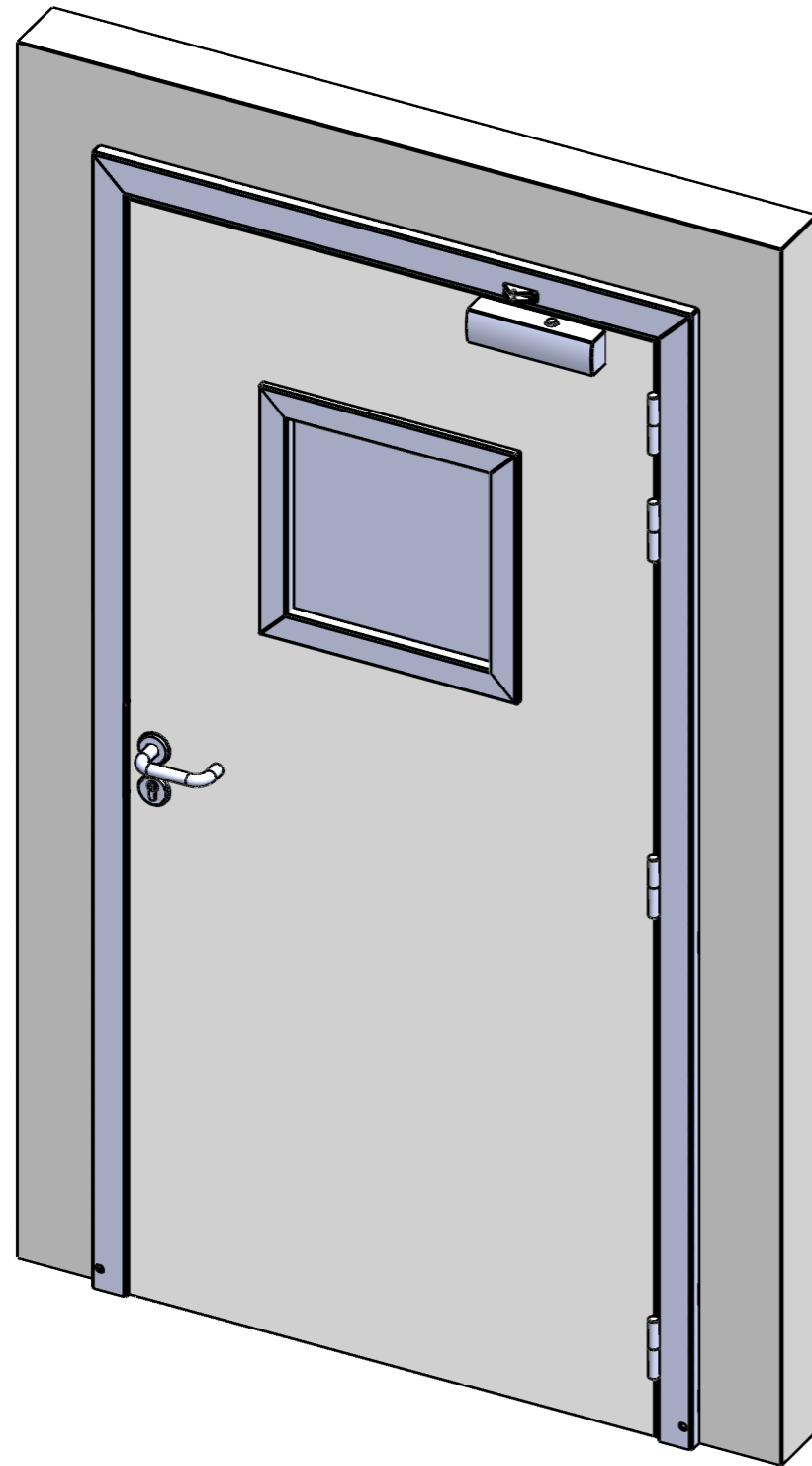


Airtight Fire Door EI30 SP250 AIR&FIRE STOP[®]



EI30

TECHNICAL PERFORMANCES AND VALIDITY	
FIRE RESISTANCE	
Single-leaf Door :	EI2-30 certification issued by the EFECTIS laboratory
Fire Direction Compliance :	For single leaf door : - Up to 1050 mm wide door leaf : both directions - Up to 1207 mm wide door leaf : fire on the opposite side of the hinges only
Validity :	For plasterboard and flexible partitions - minimum thickness of 98 mm with a valid EI60 certificate. For rigid walls of masonry - block wall with a minimum thickness of 150 mm and 500 kg/m ³ OR concrete wall with a minimum thickness of 120 mm and 2200 kg/m ³
Leakage rate :	1,13 m ³ /m ² /H at 20 Pa and 2,11 m ³ /m ² /H at 50 Pa

Type Porte :

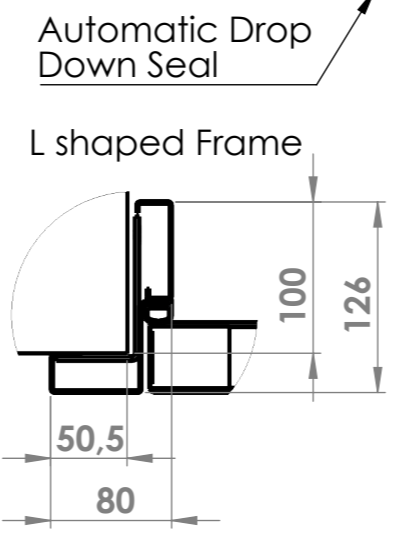
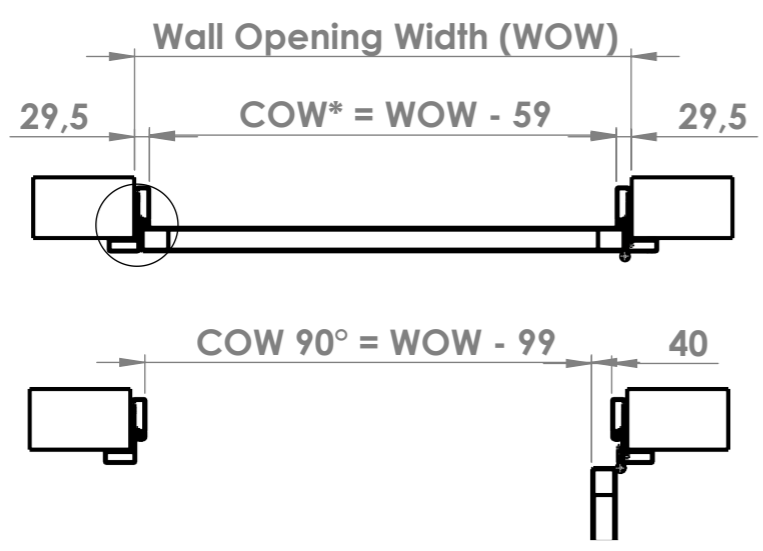
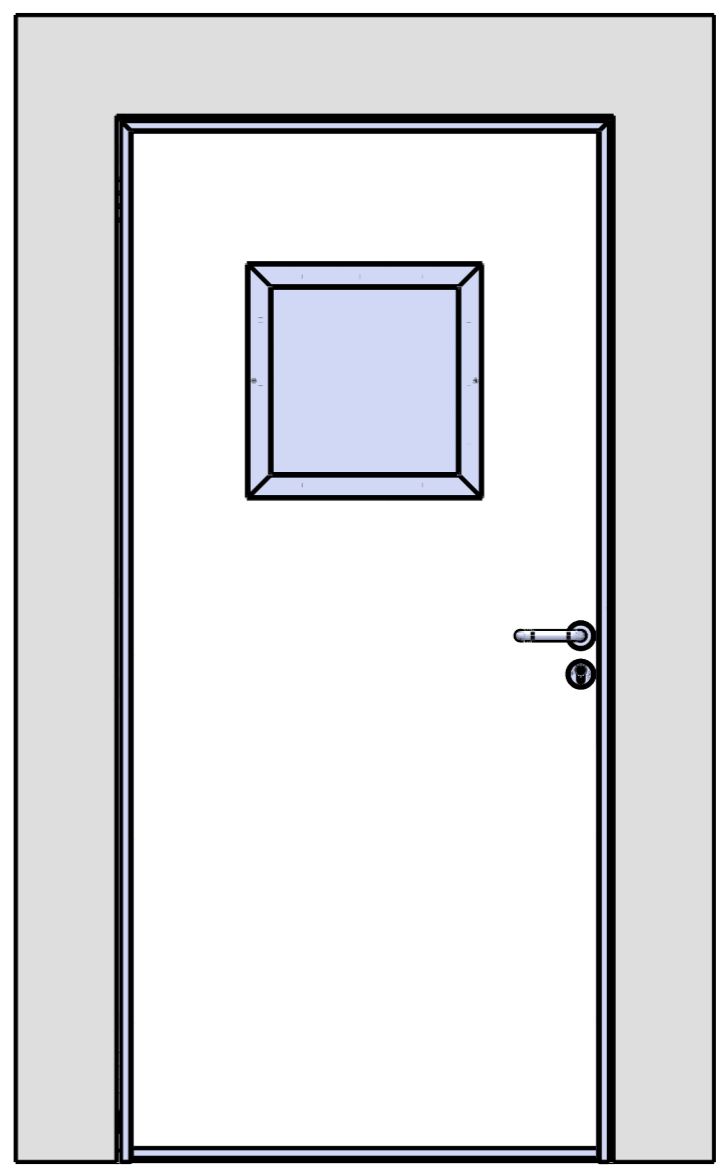
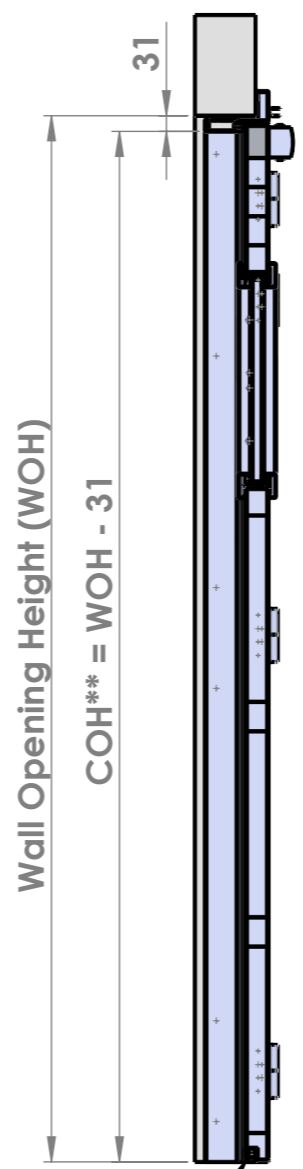
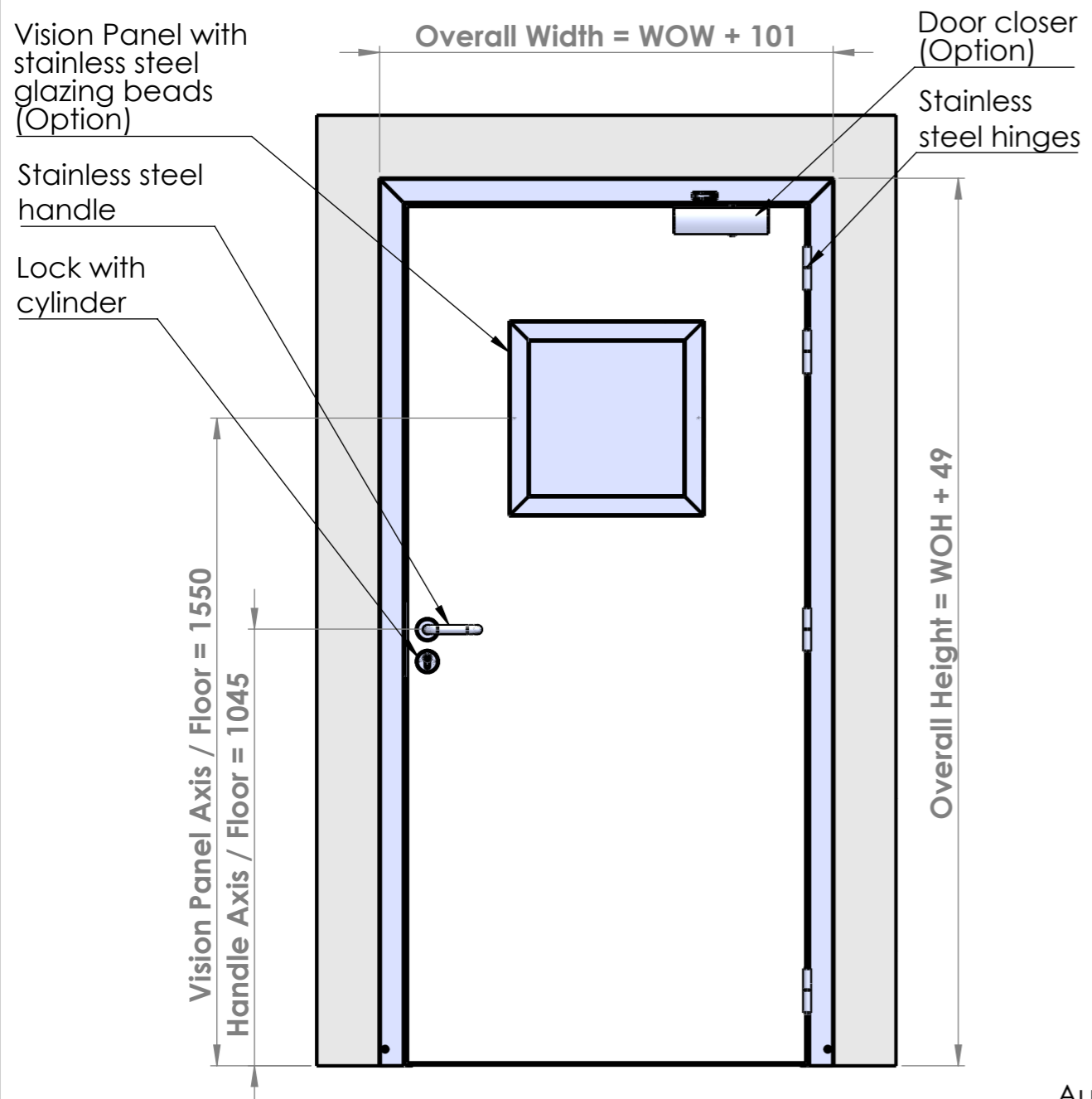
**SP250
AIR&FIRE STOP[®]**

Compact laminate door leaf with fire-resistant core

Stainless steel Frame

SPENLE 

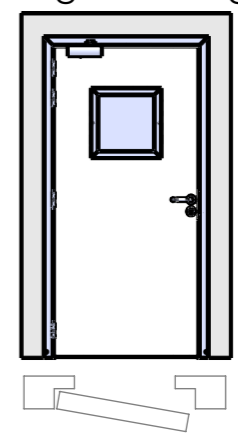
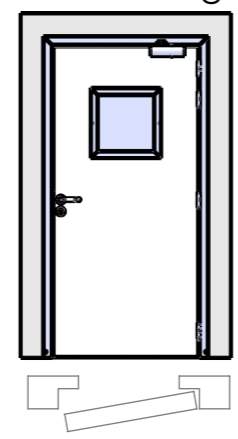
F-57400 SARREBOURG
+33 (0)3 87 25 78 00
www.spenle-international.com
info@spenle-international.com



Automatic Drop Down Seal

Right Pulling
Left Pushing

Left Pulling
Right Pushing

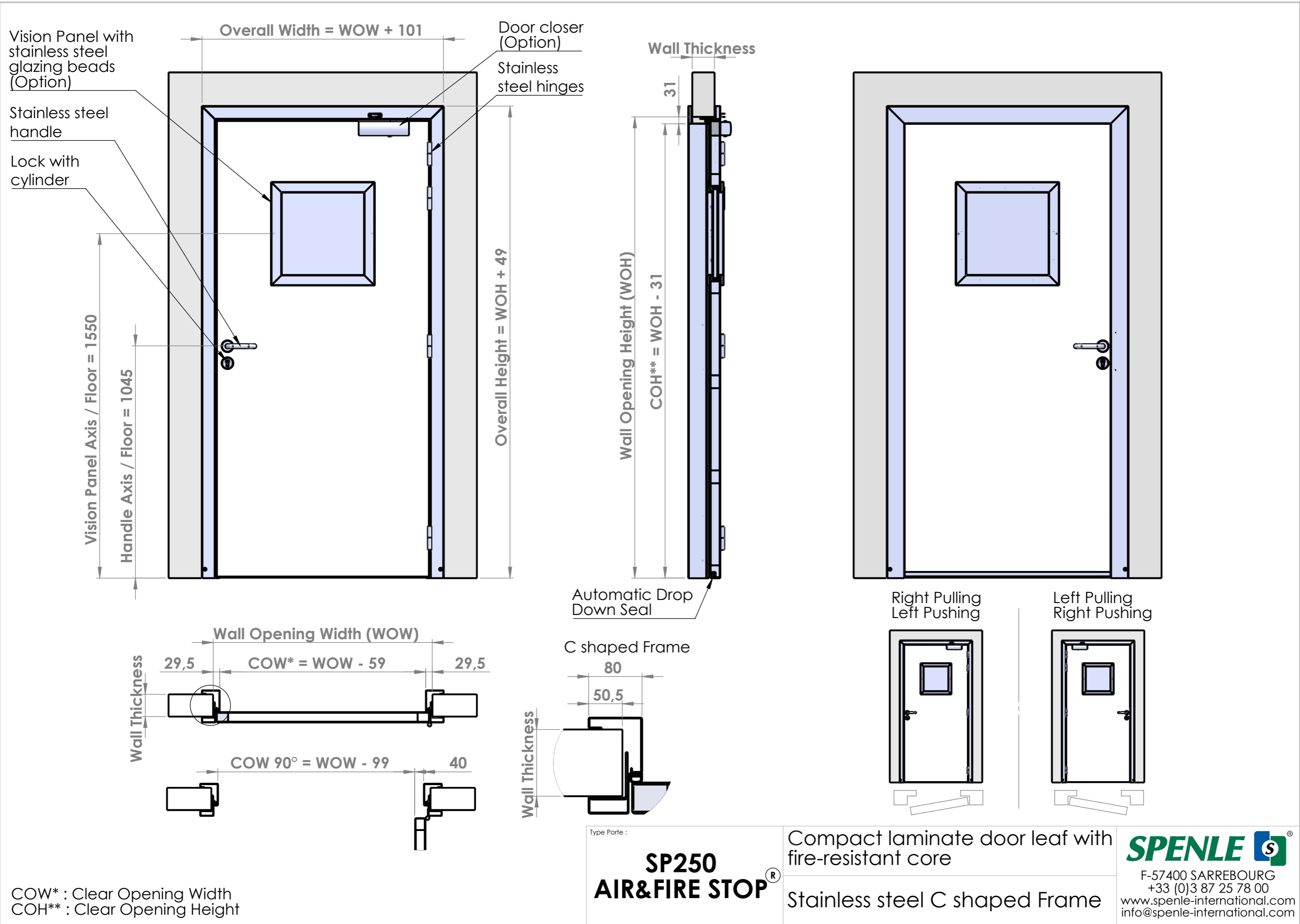


COW* : Clear Opening Width
COH** : Clear Opening Height

Type Porte :
**SP250
AIR&FIRE STOP[®]**

Compact laminate door leaf with fire-resistant core
Stainless steel L shaped Frame

SPENLE 
F-57400 SARREBOURG
+33 (0)3 87 25 78 00
www.spenle-international.com
info@spenle-international.com



COW* : Clear Opening Width
 COH** : Clear Opening Height