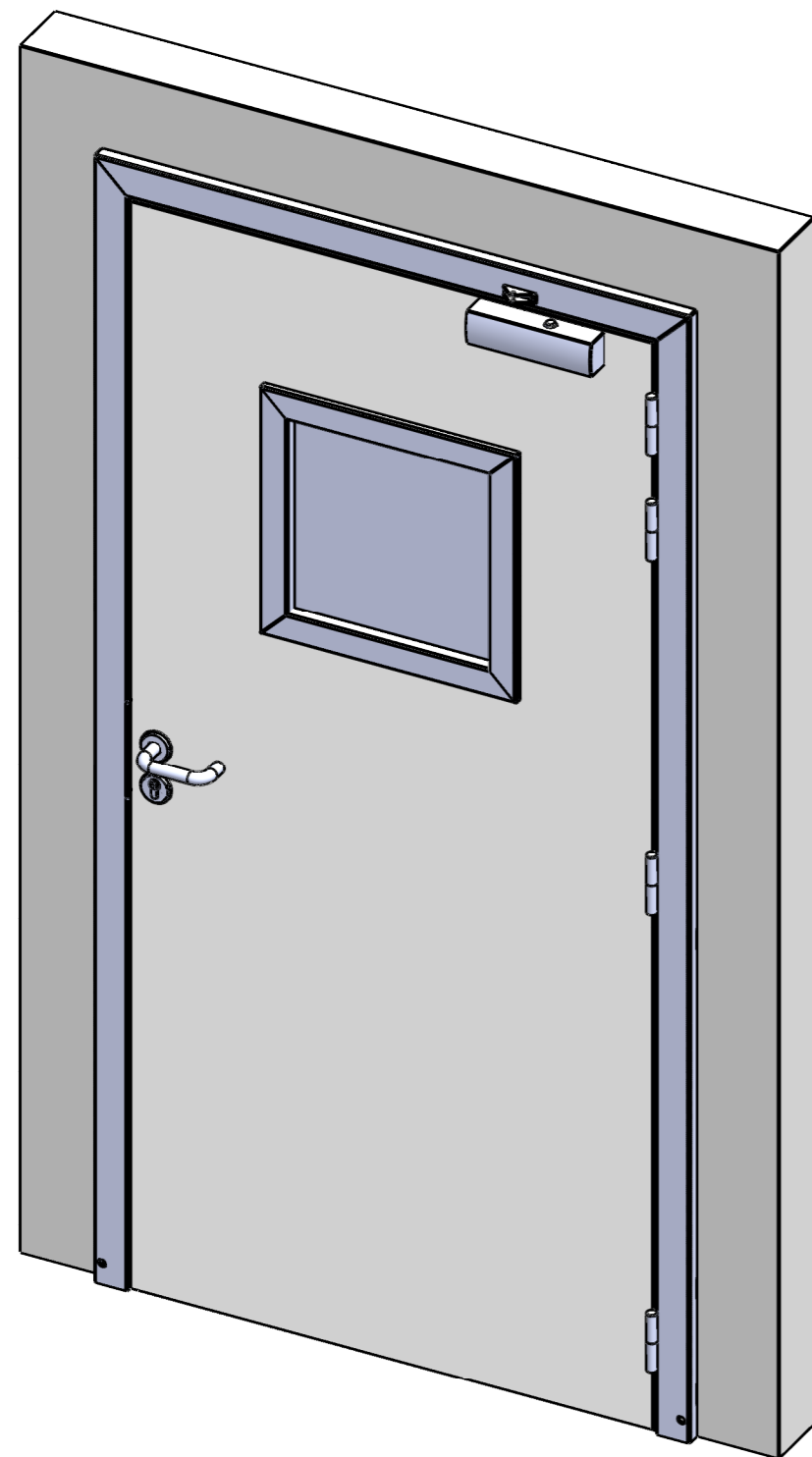


Water-Repellent Fire Door EI30 SP150 HYDROFEU[®]



EI30

TECHNICAL PERFORMANCES AND VALIDITY	
FIRE RESISTANCE	
Single-leaf Door :	EI2-30 certification issued by the EFECTIS laboratory
Fire Direction Compliance :	For single leaf door : - Up to 1050 mm wide door leaf : both directions - Up to 1207 mm wide door leaf : fire on the opposite side of the hinges only
Validity :	For plasterboard and flexible partitions - minimum thickness of 98 mm with a valid EI60 certificate. For rigid walls of masonry - block wall with a minimum thickness of 150 mm and 500 kg/m ³ OR concrete wall with a minimum thickness of 120 mm and 2200 kg/m ³

Type Porte :

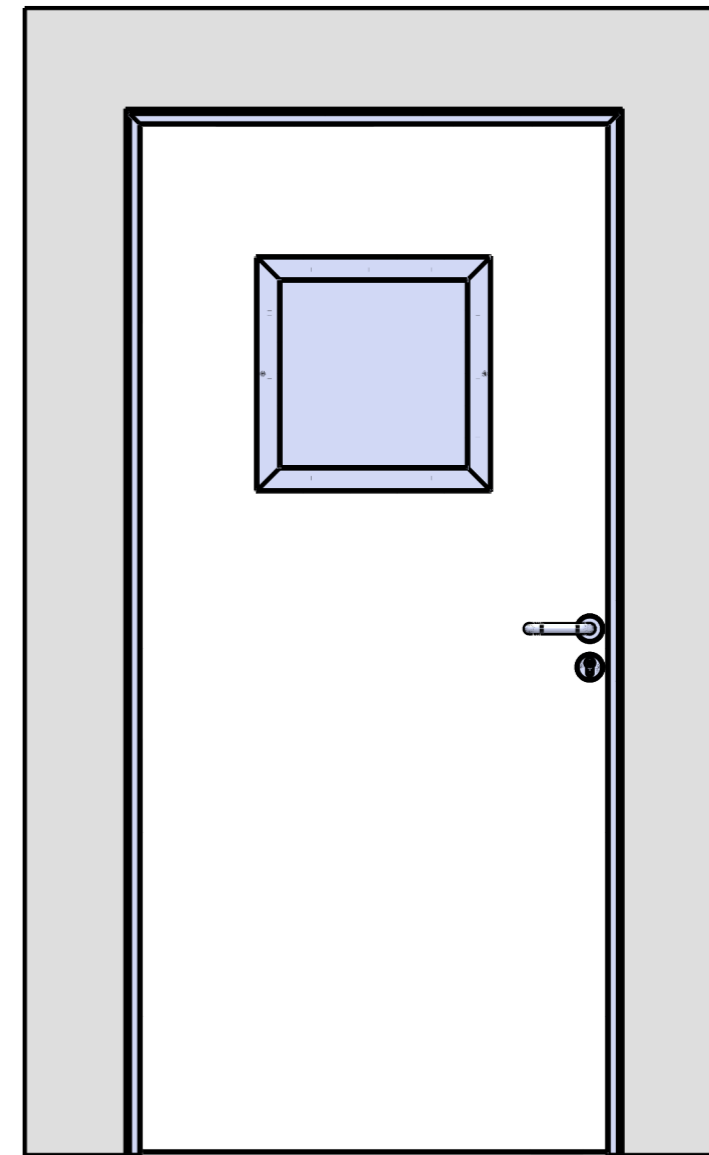
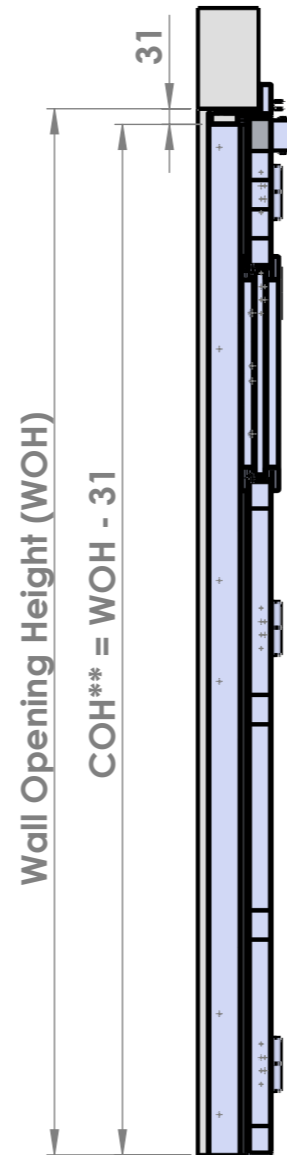
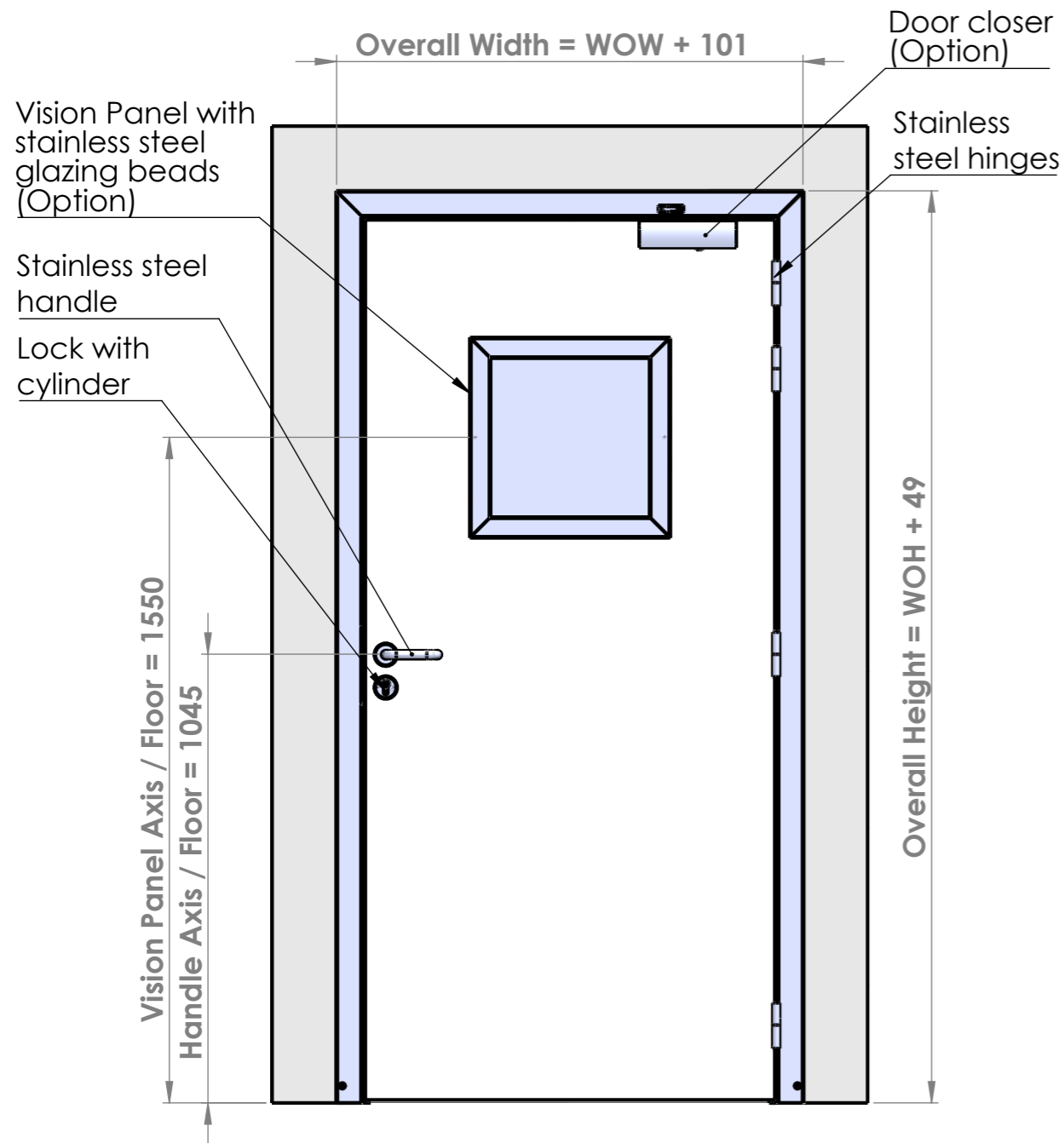
**SP150
HYDROFEU[®]**

Compact laminate door leaf with fire-resistant core

Stainless steel Frame

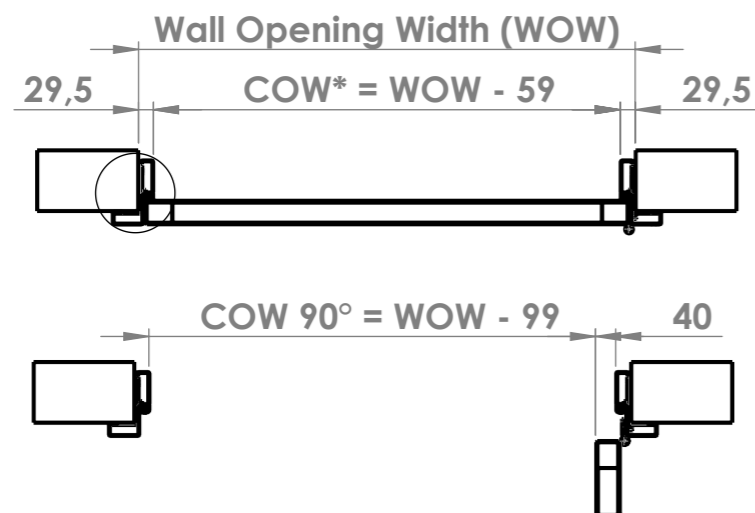
SPENLE 

F-57400 SARREBOURG
+33 (0)3 87 25 78 00
www.spenle-international.com
info@spenle-international.com

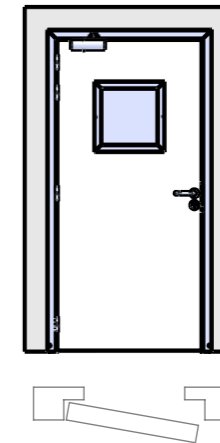
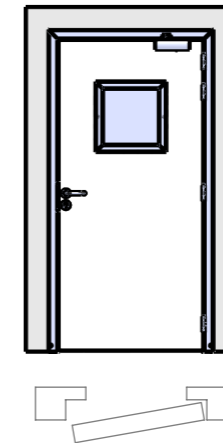
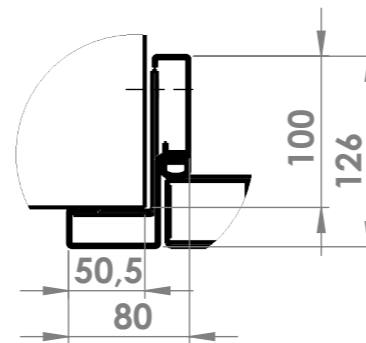


Right Pulling
Left Pushing

Left Pulling
Right Pushing



L shaped Frame



COW* : Clear Opening Width
COH** : Clear Opening Height

Type Porte :

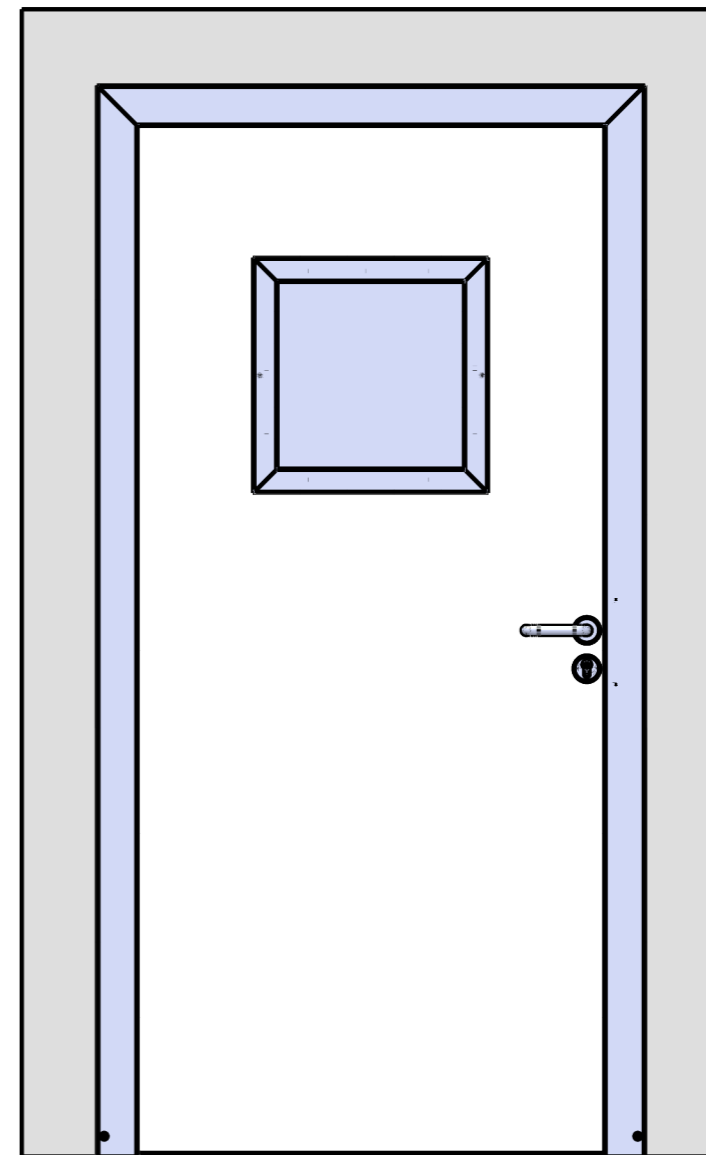
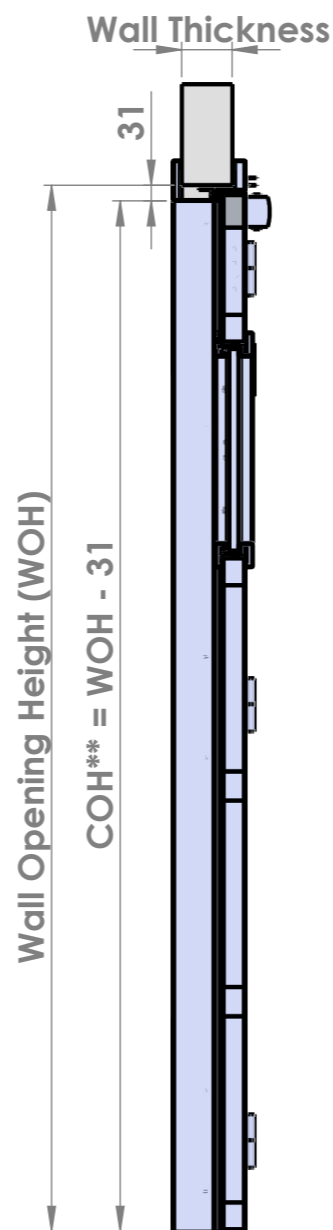
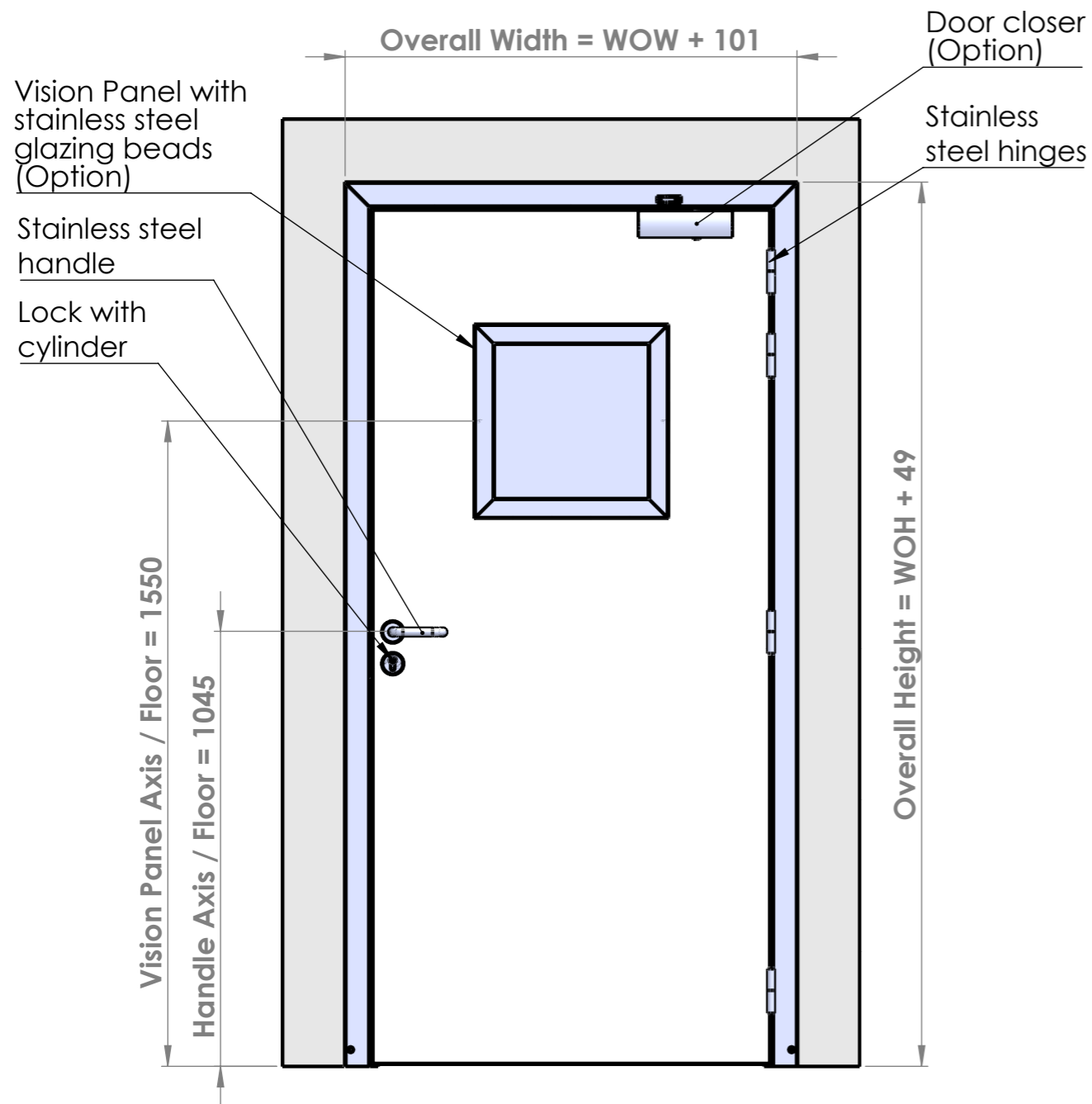
**SP150
HYDROFEU[®]**

Compact laminate door leaf with fire-resistant core

Stainless steel L shaped Frame

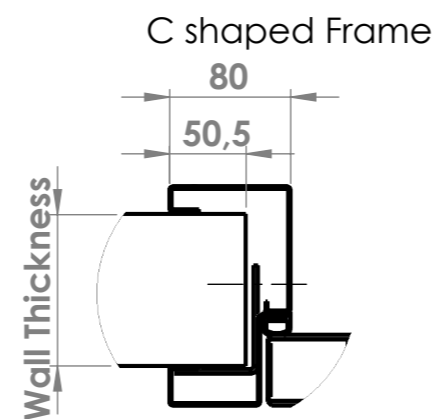
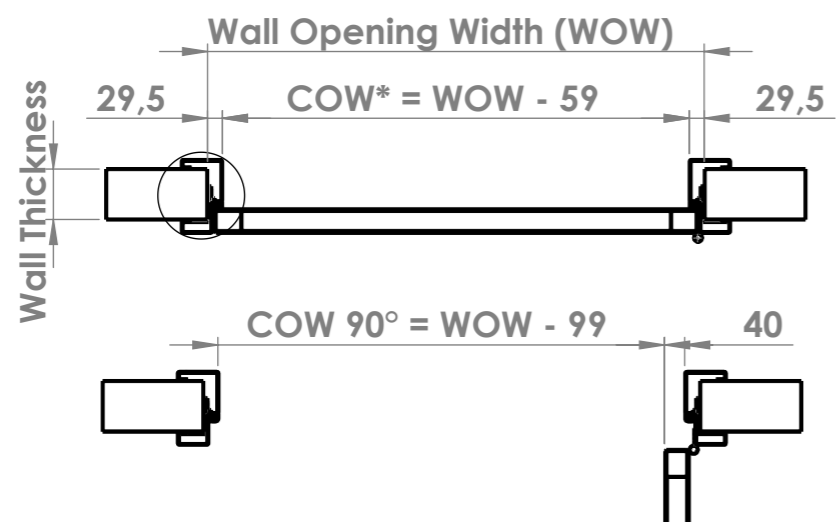
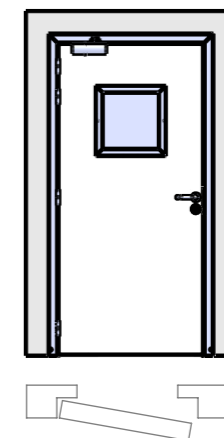
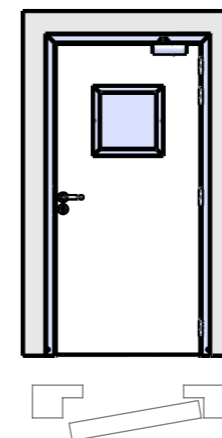
SPENLE 

F-57400 SARREBOURG
+33 (0)3 87 25 78 00
www.spenle-international.com
info@spenle-international.com



Right Pulling
Left Pushing

Left Pulling
Right Pushing



COW* : Clear Opening Width
COH** : Clear Opening Height

Type Porte :

**SP150
HYDROFEU®**

Compact laminate door leaf with
fire-resistant core

Stainless steel C shaped frame



F-57400 SARREBOURG
+33 (0)3 87 25 78 00
www.spenle-international.com
info@spenle-international.com