

WATER-REPELLENT FIRE DOOR SP150 HYDROFEU® - CONFIGURATOR

Please complete this document and tick the corresponding boxes:

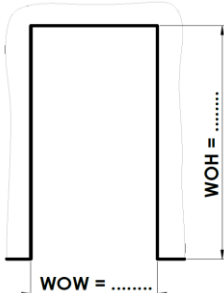
Compagny name :

Project :

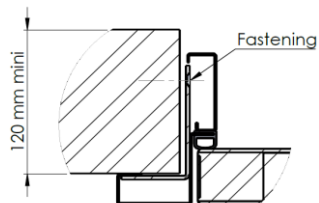
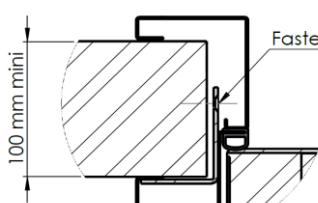
Quotation



Order

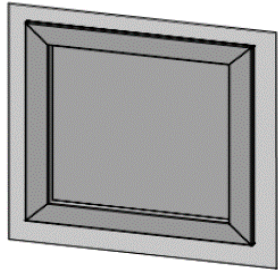
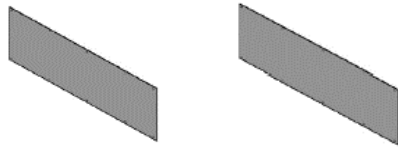
<p style="text-align: center;">COLOR OF LEAF</p> <p><input type="radio"/> Compact Laminate White (RAL 9016)</p> <p><input type="radio"/> Compact Laminate Grey (RAL 7047)</p> <p><input type="radio"/> Other color(5 doors minimum and extended delivery time)</p>	<p>Number of identical doors :</p> <hr/> <p style="text-align: center; font-size: 1.2em;">1 Leaf door</p>
---	---

DIMENSIONS									
<p style="text-align: center;"><input type="radio"/> OPENING DIMENSIONS</p> <div style="display: flex; align-items: center;"> <div style="margin-right: 20px;"> <p>Wall Opening Width : WOW</p> <p>Wall Opening Height : WOH</p> <p>(in mm)</p> </div> <div style="text-align: center;">  </div> <div style="margin-left: 20px;"> <p>Clear Opening Width : COW</p> <p>Clear Opening Height : COH</p> </div> </div>	<table border="1" style="margin-left: auto; margin-right: auto; border-collapse: collapse;"> <thead> <tr> <th colspan="2" style="text-align: center;">Frame / Fastening</th> </tr> <tr> <th style="text-align: center;">L</th> <th style="text-align: center;">C</th> </tr> </thead> <tbody> <tr> <td style="text-align: center;">COW</td> <td style="text-align: center;">WOW-59</td> </tr> <tr> <td style="text-align: center;">COH</td> <td style="text-align: center;">WOH-31</td> </tr> </tbody> </table>	Frame / Fastening		L	C	COW	WOW-59	COH	WOH-31
Frame / Fastening									
L	C								
COW	WOW-59								
COH	WOH-31								

WALL TYPE	
Concrete, Masonry, Plasterboard, ... :	Thickness : mm

FRAME / FASTENING	
<input type="radio"/> L 	<input type="radio"/> C 

OPENING DIRECTION	
<input type="radio"/> Left pulling (right pushing) 	<input type="radio"/> Right pulling (left pushing) 

OPTIONS		
<p style="text-align: center;">Locks and Hardware</p> <p><input type="radio"/> Lock with cylinder</p> <p><input type="radio"/> Lock without cylinder</p> <p><input type="radio"/> Lock with V/E indicator on :</p> <p style="margin-left: 20px;"><input type="radio"/> hinges side</p> <p style="margin-left: 20px;"><input type="radio"/> opposite side of the hinges</p> <p><input type="radio"/> Door closer</p> <p style="margin-left: 20px;"><input type="radio"/> GEZE TS 2000V with compass arm</p> <p style="margin-left: 20px;"><input type="radio"/> DORMA TS 90 IMPULSE with slide arm</p> <p><input type="radio"/> Automatic drop down seal</p>	<p style="text-align: center;">Vision Panel with stainless steel glazing beads</p> <p><input type="radio"/> 400x400 mm</p> 	<p style="text-align: center;">Bumpers / Protections</p> <div style="display: flex; justify-content: space-around;"> <div style="text-align: center;"> <input type="radio"/> Stainless steel 0,8 mm thick </div> <div style="text-align: center;"> <input type="radio"/> Acrovyn Grey ou White 1,5 mm thick </div> </div>  <p style="text-align: center;">Height :</p> <p style="text-align: center;">(Standard: 240mm / Max: 900mm)</p>

Comments :

For any special request, please contact us.