

FLEXIBLE PVC SWING DOOR

FLEXIBLE PVC SWING DOOR TO IMPROVE THE THERMAL INSULATION OF YOUR FACTORIES AND WAREHOUSES

FOOD INDUSTRY



**FLEXIBLE
DOUBLE-SWING
DOOR**

SP2100

SMOOTH PASSAGE GUARANTEED, PLUS ENHANCED INSULATION AT A LOW COST!

Consisting of a **solid** grade 304L stainless steel structure with an **integrated, protected return system** and **flexible PVC leaves**, the **SP2100** door is **extremely sturdy and durable**, and perfectly suited to food and wet environments.

Heat loss and cold air leakage are kept to a minimum since the door only opens partially and the flexible PVC doors conform to the shape of the volume passing through the door.



Can be supplied in **very large sizes** up to 6 m x 6 m. It is **maintenance-free** and **compatible with the passage of overhead rails**.

Custom made to your measurements, the **SP2100** flexible PVC swing door is supplied ready to fit.

FEATURES & BENEFITS



Reduces heat loss



Water-repellent,
can be hosed down



Heavy-duty product



Superior quality



Wide enough for
forklift trucks



Economical

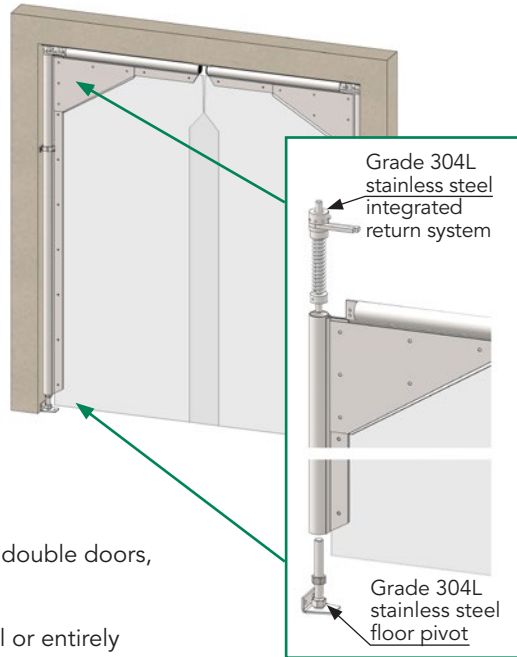


Recyclable

TECHNICAL CHARACTERISTICS

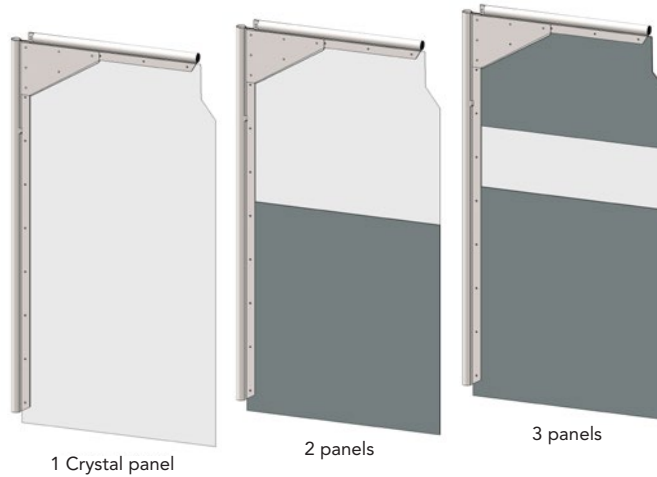
STRUCTURE

- Very strong **grade 304L stainless steel** or **coated steel structure**,
- All stainless steel return system**, integrated in the tubular structure and protected against knocks from trucks,
- Rotation on an **adjustable pivot on the floor**,
- Opening simply by pushing and automatic closing by an **adjustable tension torsion spring**,
- 90° hold open** system available as an option

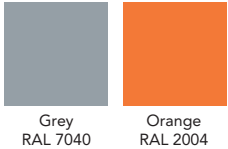


FLEXIBLE PVC PANELS

- Flexible PVC panels with central overlap for the double doors,
- 6 or 8 mm thick,
- Single-section** panel, entirely transparent crystal or entirely opaque,
- 2-section** panel with an opaque PVC impact section at the bottom and a transparent flexible PVC section at the top,
- 3-section** panel with opaque PVC impact sections at the bottom and the top, and a transparent PVC central part to ensure visibility and guarantee safety.



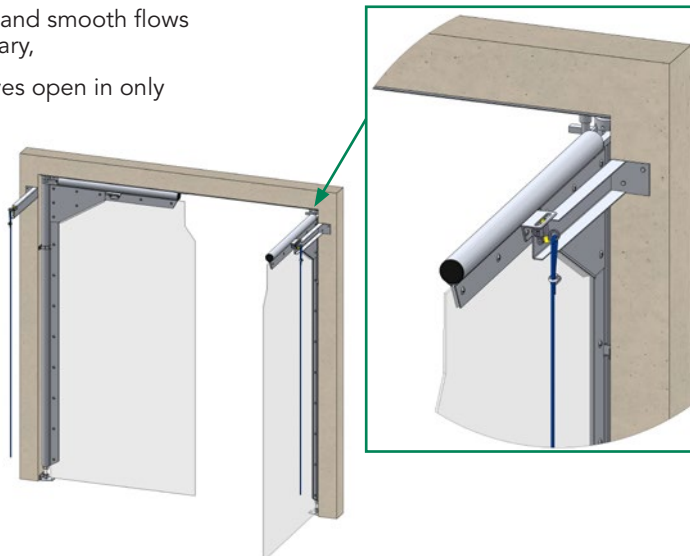
OPAQUE FLEXIBLE PVC COLOURS



Replacement flexible panels are available as spare parts on request.

OPTIONS

- Hold open feature to facilitate and smooth flows through the door when necessary,
- Single-acting movement – leaves open in only one direction,
- More economical version with a coated steel structure.



FLEXIBLE DOUBLE-SWING DOOR

SP2100

