

## AIRTIGHT FIRE DOOR SP250 AIR&FIRE STOP® - CONFIGURATOR

Please complete this document and tick the corresponding boxes:

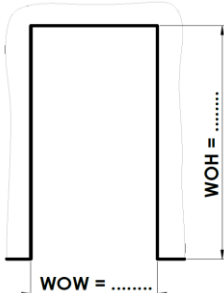
**Compagny name :** .....

**Project :** .....

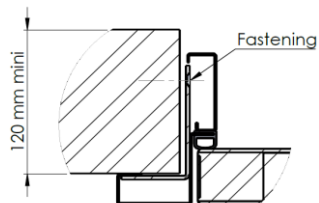
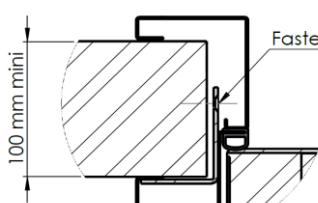
Quotation



Order

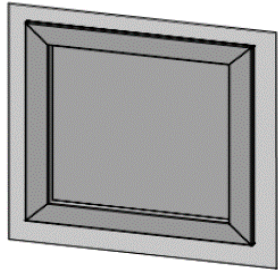
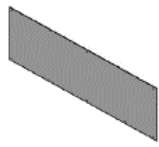
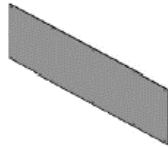
<p style="text-align: center;"><b>COLOR OF LEAF</b></p> <p><input type="radio"/> Compact Laminate White (RAL 9016)</p> <p><input type="radio"/> Compact Laminate Grey (RAL 7047)</p> <p><input type="radio"/> Other color .....(5 doors minimum and extended delivery time)</p>	<p><b>Number of identical doors : .....</b></p> <hr/> <p style="text-align: center; font-size: 1.2em;"><b>1 Leaf door</b></p>
---	---

<b>DIMENSIONS</b>									
<p style="text-align: center;"><input type="radio"/> <b>OPENING DIMENSIONS</b></p> <div style="display: flex; align-items: center;"> <div style="margin-right: 20px;"> <p>Wall Opening Width : WOW</p> <p>Wall Opening Height : WOH</p> <p>(in mm)</p> </div>  <div style="margin-left: 20px;"> <p>Clear Opening Width : COW</p> <p>Clear Opening Height : COH</p> </div> </div>	<table border="1" style="margin-left: auto; margin-right: auto; border-collapse: collapse; text-align: center;"> <thead> <tr> <th colspan="2" style="padding: 2px;">Frame / Fastening</th> </tr> <tr> <th style="padding: 2px;">L</th> <th style="padding: 2px;">C</th> </tr> </thead> <tbody> <tr> <td style="padding: 2px;">COW</td> <td style="padding: 2px;">WOW-59</td> </tr> <tr> <td style="padding: 2px;">COH</td> <td style="padding: 2px;">WOH-31</td> </tr> </tbody> </table>	Frame / Fastening		L	C	COW	WOW-59	COH	WOH-31
Frame / Fastening									
L	C								
COW	WOW-59								
COH	WOH-31								

<b>WALL TYPE</b>	
<p><b>Concrete, Masonry, Plasterboard, ... :</b> .....</p>	<p><b>Thickness :</b> ..... mm</p>

<b>FRAME / FASTENING</b>	
<p><input type="radio"/> <b>L</b></p> 	<p><input type="radio"/> <b>C</b></p> 

<b>OPENING DIRECTION</b>	
<p style="text-align: center;"><input type="radio"/> <b>Left pulling (right pushing)</b></p> 	<p style="text-align: center;"><input type="radio"/> <b>Right pulling (left pushing)</b></p> 

<b>OPTIONS</b>		
<p style="text-align: center;"><b>Locks and Hardware</b></p> <p><input type="radio"/> Lock with cylinder</p> <p><input type="radio"/> Lock without cylinder</p> <p><input type="radio"/> Lock with V/E indicator on :</p> <p style="margin-left: 20px;"><input type="radio"/> hinges side</p> <p style="margin-left: 20px;"><input type="radio"/> opposite side of the hinges</p> <p><input type="radio"/> Door closer</p> <p style="margin-left: 20px;"><input type="radio"/> GEZE TS 2000V with compass arm</p> <p style="margin-left: 20px;"><input type="radio"/> DORMA TS 90 IMPULSE with slide arm</p> <p><input type="radio"/> Automatic drop down seal</p>	<p style="text-align: center;"><b>Vision Panel with stainless steel glazing beads</b></p> <p><input type="radio"/> 400x400 mm</p> 	<p style="text-align: center;"><b>Bumpers / Protections</b></p> <div style="display: flex; justify-content: space-around;"> <div style="text-align: center;"> <p><input type="radio"/> Stainless steel</p> <p>0,8 mm thick</p>  </div> <div style="text-align: center;"> <p><input type="radio"/> Acrovyn</p> <p>Grey ou White</p> <p>1,5 mm thick</p>  </div> </div> <p style="text-align: center;">Height : .....</p> <p style="text-align: center;">(Standard: 240mm / Max: 900mm)</p>

**Comments :**